

CUTOFF LEVER ASSEMBLY

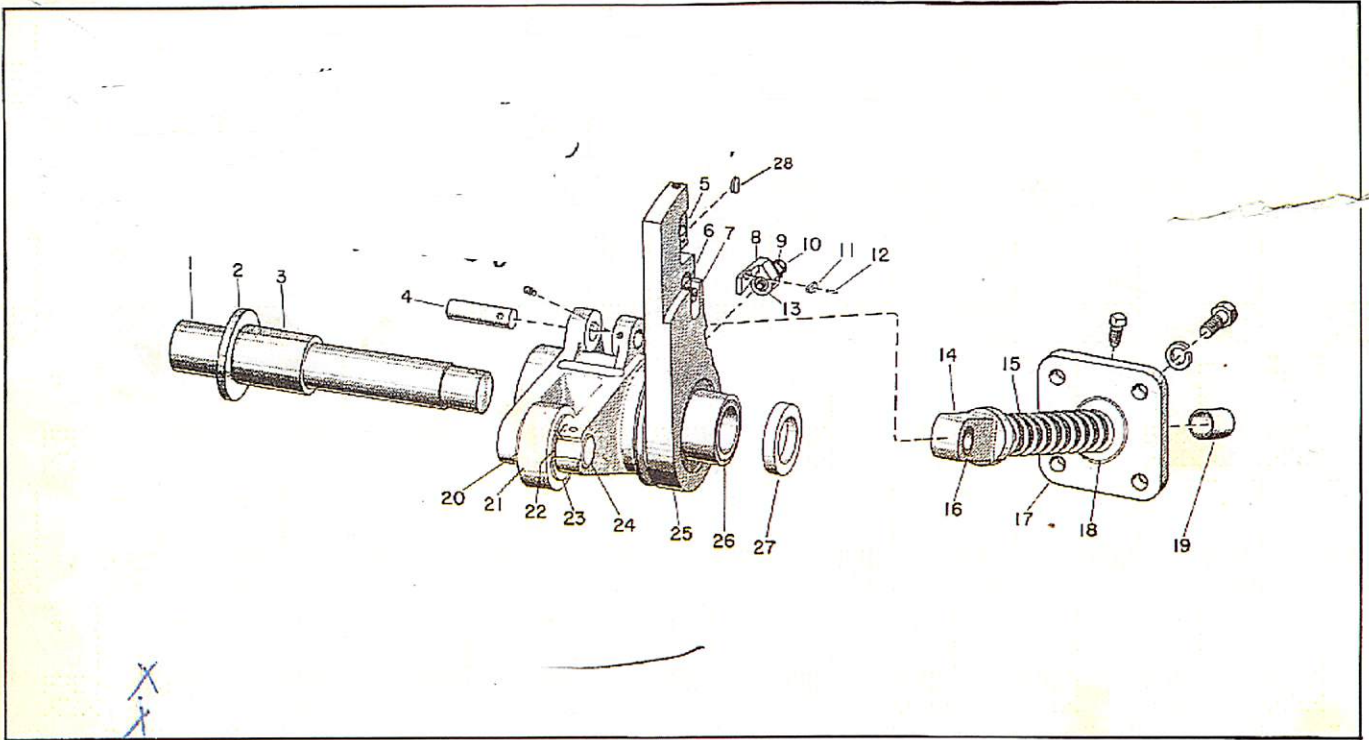


Figure 11

CUTOFF LEVER ASSEMBLY

KEY NO.	PART NAME	QTY
11-1	Cutoff Lever Pivot Pin . . . . .	1
11-2	Front Cutoff Lever Check Washer . . . . .	1
11-3	Front Cutoff Lever Bush . . . . .	1
11-4	Cutoff Return Spring Rod Pin . . . . .	1
11-5	Cutter Holder . . . . .	1
11-6	Cutter Clamp . . . . .	1
11-7	Screw for Cutter Clamp . . . . .	1
11-8*	Cutter Adjustment Wedge . . . . .	1
11-9*	Adjusting Screw for Cutter Adjusting Wedge . . . . .	1
11-10*	Nut on Stud Thru Cutter Wedge Adjusting Screw . . . . .	1
11-11*	Woodruff Key in Cutter Adjusting Wedge . . . . .	1
11-12*	Dowel Thru Key in Cutter Adjusting Wedge . . . . .	1
11-13	Stud Thru Cutter Wedge Adjusting Screw . . . . .	1
11-14	Cutoff Return Spring Rod . . . . .	1
11-15	Cutoff Return Spring . . . . .	1
11-16	Bearing in Cutoff Return Spring Rod . . . . .	1
11-17	Cutoff Return Spring Adjustment Bracket . . . . .	1
11-18	Cutoff Return Spring Adjustment Screw . . . . .	1
11-19	Bush for Cutoff Return Spring Rod . . . . .	1
11-20	Washer on Cutoff Roller Pin . . . . .	1
11-21	Cutoff Cam Roller . . . . .	1
11-22	Bearing in Cutoff Roller . . . . .	1
11-23	Washer in Cutoff Roller Pin . . . . .	1
11-24	Cutoff Lever Roller Pin . . . . .	1
11-25	Cutoff Lever . . . . .	1
11-26	Rear Cutoff Lever Bush . . . . .	1
11-27	Rear Cutoff Lever Check Washer . . . . .	1
11-28**	Cutter Seat . . . . .	1

\*Not on 25 Machines

\*\*On 25 Machines Only