

PUSHER MECHANISM

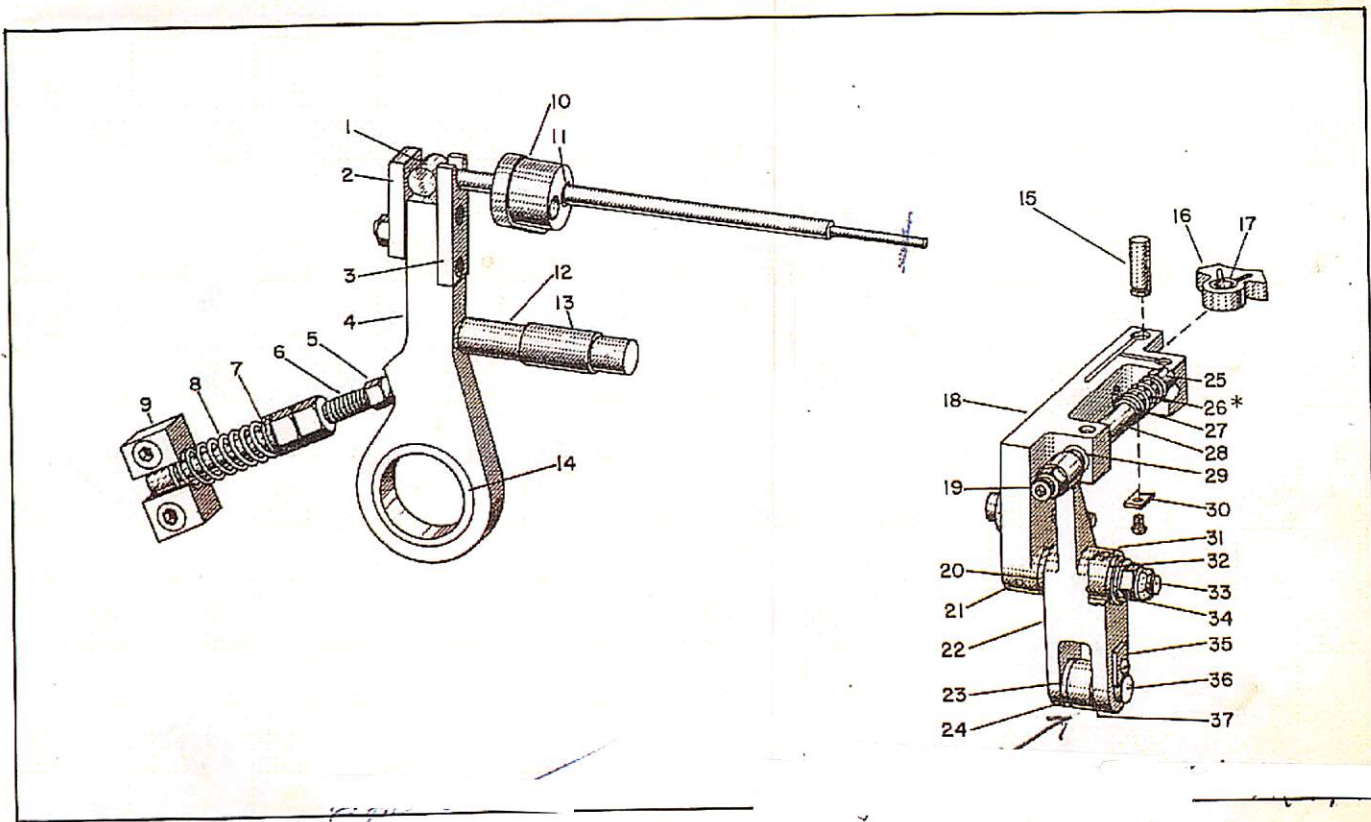


Figure 12

PUSHER MECHANISM

KEY NO.	PART NAME	QTY	KEY NO.	PART NAME	QTY
12-1	Pusher Rod	1	12-22	Pusher Roller Lever	1
12-2	Pusher Rod Retainer	1	12-23	Washer on Pusher Roller Pin	1
12-3	Pusher Rod Return Finger	1	12-24	Bearing as Pusher Cam Roller	1
12-4	Pusher Lever	1	12-25	Small Bush on Pusher Roller Lever Push Rod	1
12-5	Nut for End of Pusher Lever Spring Rod	1	12-26*	Spring on Pusher Roller Lever Push Rod	1
12-6	Pusher Lever Spring Rod	1	12-27	Washer for Spring Seat on Pusher Roller Lever Push Rod	1
12-7	Washer for Pusher Lever Spring Seat	1	12-28	Pusher Roller Lever Push Rod	1
12-8	Spring for Pusher Lever	1	12-29	Large Bush on Pusher Roller Lever Push Rod	1
12-9	Bracket for Pusher Lever Spring Rod	1	12-30	Pin Lock on Bellcrank Pivot Pin	1
12-10	Guide for Pusher and Feed Tube	1	12-31	Bush in Pusher Roller Lever	1
12-11	Pusher Rod Guide Bush	1	12-32	Washer on Pusher Roller Lever Pivot Pin	1
12-12	Pusher Lever Push Rod	1	12-33	Pivot Pin for Pusher Roller Lever	1
12-13	Bush in Bed for Pusher Lever Pushrod	1	12-34	Washer under Nut on Pusher Roller Lever Pivot Pin	1
12-14	Bushing for Pusher Lever	1	12-35	Pin Lock on Pusher Roller Pin	1
12-15	Bellcrank Pivot Pin in Pusher Bracket	1	12-36	Pusher Roller Pin in Lever	1
12-16	Pusher Bellcrank	1	12-37	Washer on Pusher Roller Pin	1
12-17	Bush on Bellcrank Pivot Pin	1			
12-18	Bracket for Pusher Operating Mechanism	1			
12-19*	Pusher Adjustment Screw	1			
12-20	Washer on Pusher Roller Lever Pivot Pin	1			
12-21	Taper Pin - Pusher Roller Lever Pivot Pin to Bracket	1			

*Not on 5/16" Machines