

## RELIEVING KNOCKOUT MECHANISM

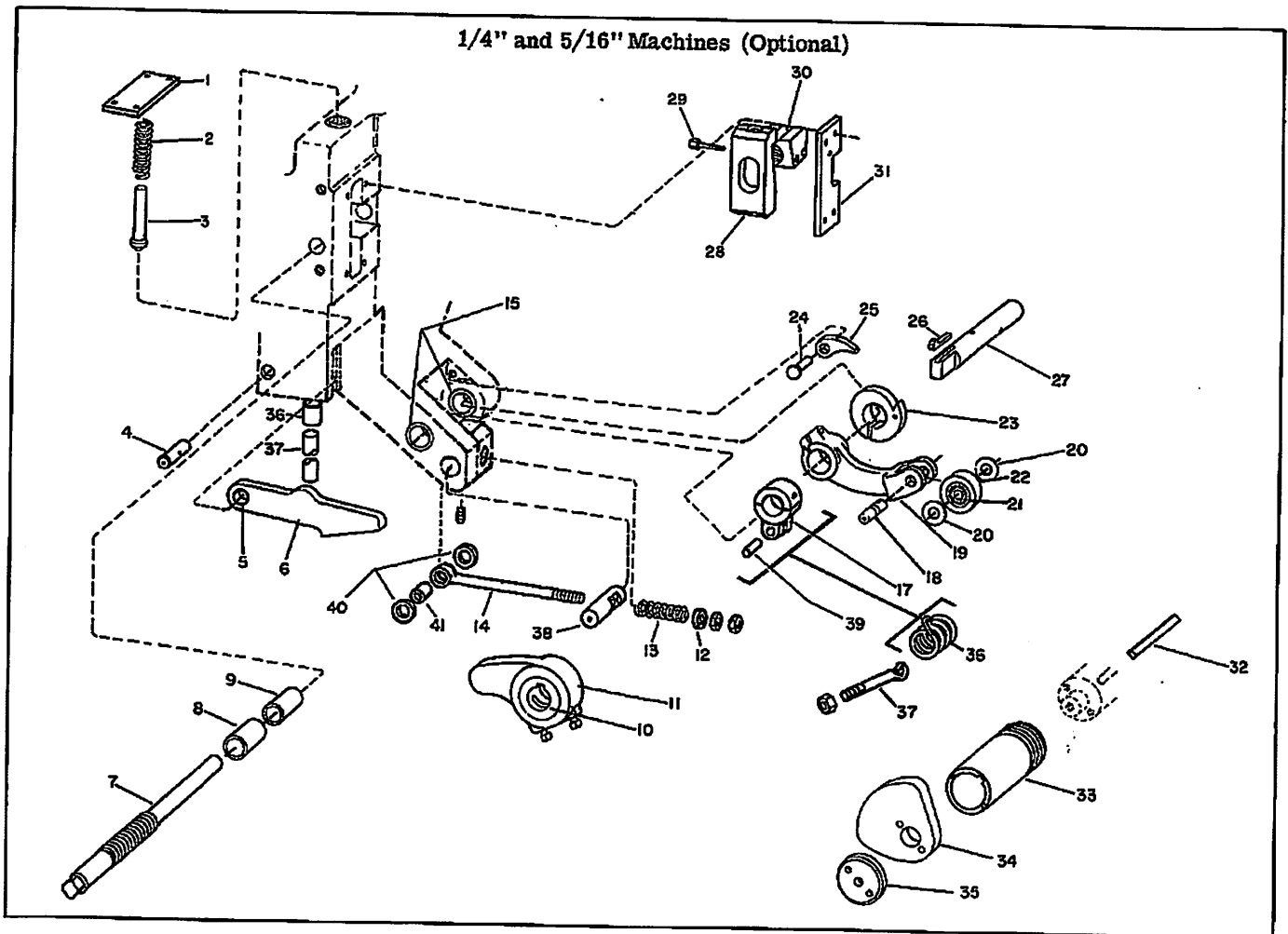


Figure 24

### RELIEVING KNOCKOUT MECHANISM (Optional)

KEY NO.	PART NAME	QTY.	KEY NO.	PART NAME	QTY.
24-1	Return Spring Plate . . . . .	1	24-22	Relief Cam Roller . . . . .	1
24-2	Return Spring . . . . .	1	24-23	Collar for Torsion Spring . . . . .	1
24-3	Wedge Return Rod . . . . .	1	24-24	Pivot Pin in Pawl . . . . .	1
24-4	Pivot Pin for Cam Shoe . . . . .	1	24-25	Pawl for Torsion Spring Collar . . . . .	1
24-5	Cam Shoe Bushing . . . . .	1	24-26	Key for Cam Hub . . . . .	1
24-6	Relief Adjustment Cam Shoe . . . . .	1	24-27	Shaft for Cam Roller Lever . . . . .	1
24-7	Kickout Backing Screw . . . . .	1	24-28	Relief Wedge . . . . .	1
24-8	Bushing on Kickout Backing Screw . . . . .	1	24-29	Clamping Bolt for Kickout Backing Screw Nut . . . . .	2
24-9	Bushing on Kickout Backing Screw . . . . .	1	24-30	Nut for Kickout Backing Screw . . . . .	1
24-10	Relief Adjustment Cam Hub . . . . .	1	24-31	Relief Wedge Cover . . . . .	1
24-11	Relief Adjustment Cam . . . . .	1	24-32	Key for Relief Cam Hub . . . . .	1
24-12	Spring Seat . . . . .	1	24-33	Relief Cam Hub . . . . .	1
24-13	Spring on Spring Rod . . . . .	1	24-34	Cam on Camshaft . . . . .	1
24-14	Spring Rod for Relieving Knockout Cam . . . . .	1	24-35	Collar for Camshaft . . . . .	1
24-15	Bushings for Cam Roller Lever Shaft. . . . .	2	24-36*	Roller Lever Spring . . . . .	1
24-17	Roller Lever Shaft Collar . . . . .	1	24-37*	Anchor for Roller Lever Spring . . . . .	1
24-18	Relief Cam Roller Lever Pin . . . . .	1	24-38	Spring Seat . . . . .	1
24-19	Relief Cam Roller Lever . . . . .	1	24-39	Cam Spring Rod Pin . . . . .	1
24-20	Washers for Roller . . . . .	2	24-40	Washers on Spring Rod . . . . .	2
24-21	Bearing in Relief Cam Roller . . . . .	1	24-41	Bushing on Spring Rod . . . . .	1

\* On some machines in place of parts 12, 13, 14 and 17 above.