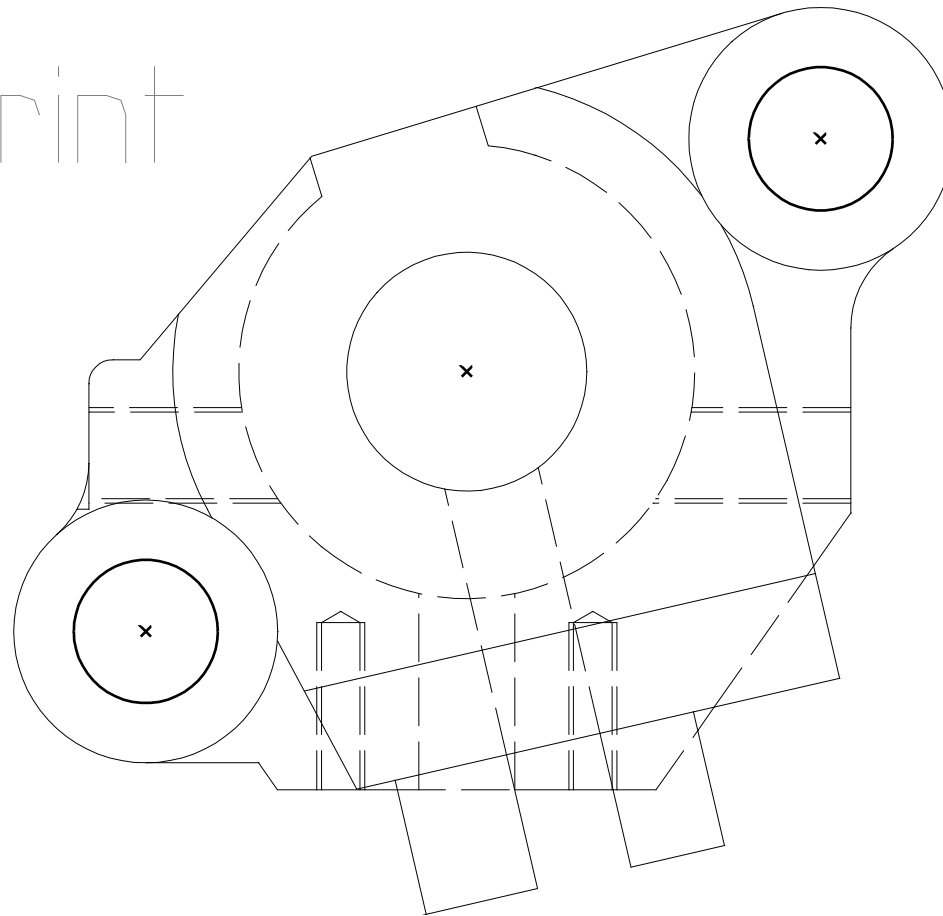


56 National H.S. / S.D.D.S. with PKO

Key # HS-18 Finish / 2nd / Punch

Footprint



TMW Prog. 823