

CAMSHAFT

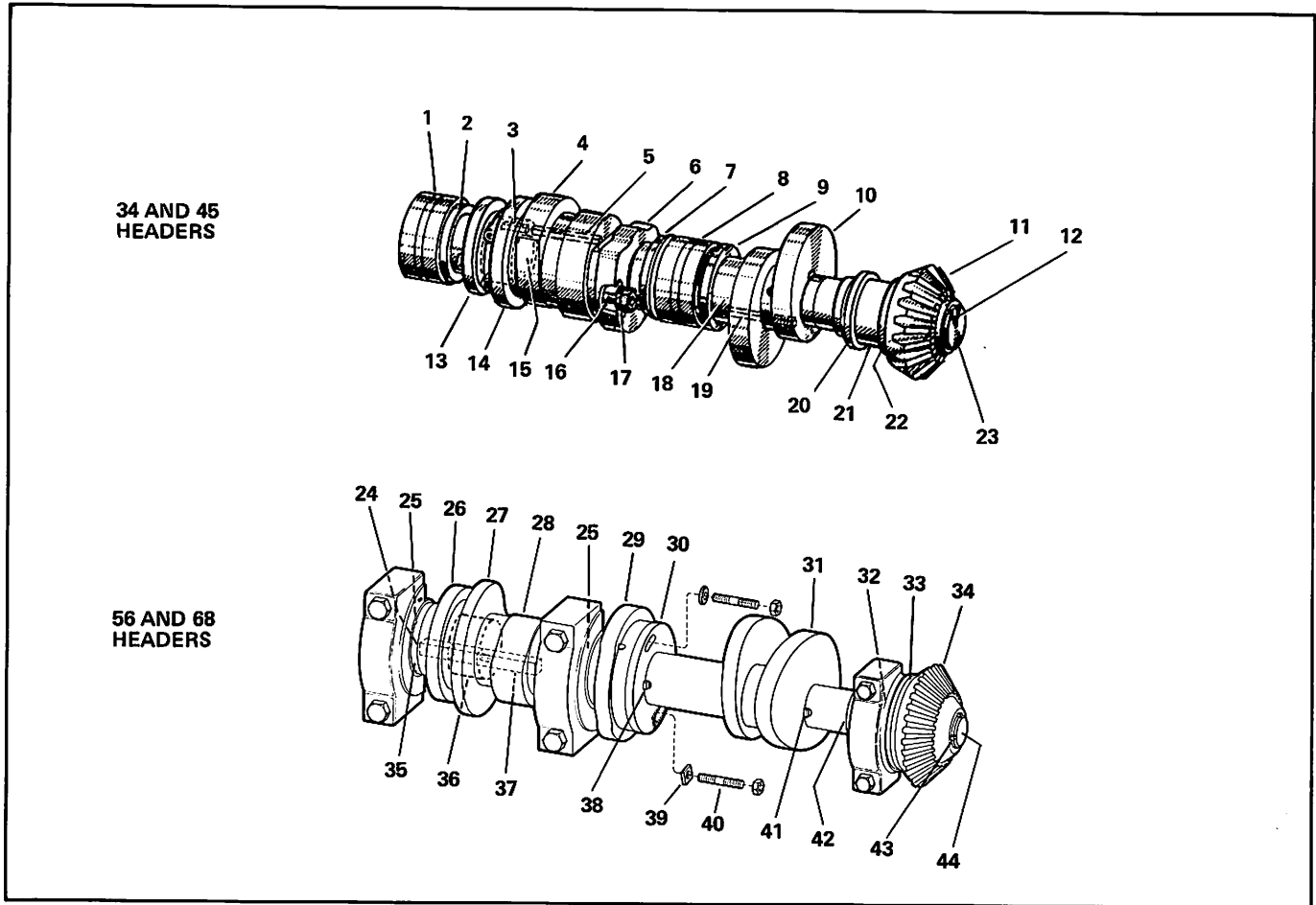


Figure CM
CAMSHAFT

34 & 45			56 & 68		
KEY NO.	PART NAME	QTY.	KEY NO.	PART NAME	QTY.
CM-1	Front Roller Bearing	1	CM-24	Key for Pusher and Ejector Cams . .	2
CM-2	Front Bearing Retainer	1	CM-25	Front and Center Bearing	2
CM-3	Pusher Cam and Ejector Cam Key . .	1	CM-26	Pusher Cam	1
CM-4	Cutoff Cam	1	CM-27	Discharge Ejector Cam	1
CM-5	Key for Cutoff Cam	1	CM-28	Cutoff Cam	1
CM-6	Transfer Cam	1	CM-29	Transfer Cam	1
CM-7	Front Retainer for Center Bearing . .	1	CM-30	Transfer Cam Hub	1
CM-8	Center Roller Bearing	1	CM-31	Shifter Cam	1
CM-9	Rear Retainer for Center Bearing . .	1	CM-32	Rear Bearing	1
CM-10	Shifter Cam	1	CM-33	Washer Back of Bevel Gear	1
CM-11	Bevel Gear	1	CM-34	Bevel Gear	1
CM-12	Bevel Gear Key	1	CM-35	Camshaft Bearing Retainer, Front-Inside	1
CM-13	Pusher Cam	1	CM-36	Discharge Ejector Cam Hub	1
CM-14	Discharge Ejector Cam	1	CM-37	Key for Cutoff Cam	1
CM-15	Discharge Ejector Cam Hub	1	CM-38	Key for Transfer Cam Hub	1
CM-16	Cutoff Cam Stud	1	CM-39	Washer for Transfer Cam Stud	1
CM-17	Cutoff Cam Washer	1	CM-40	Transfer Cam Stud	2
CM-18	Shifter Cam Spacer	1	CM-41	Shifter Cam Key	1
CM-19	Key for Shifter Cam	1	CM-42	Camshaft Thrust Collar	1
CM-20	Rear Bearing Thrust Collar	1	CM-43	Key for Bevel Gear	2
CM-21	Rear Bearing	1	CM-44	Camshaft	1
CM-22	Bevel Gear Thrust Washer	1			
CM-23	Cam Shaft	1			