

## CROSS SHAFT

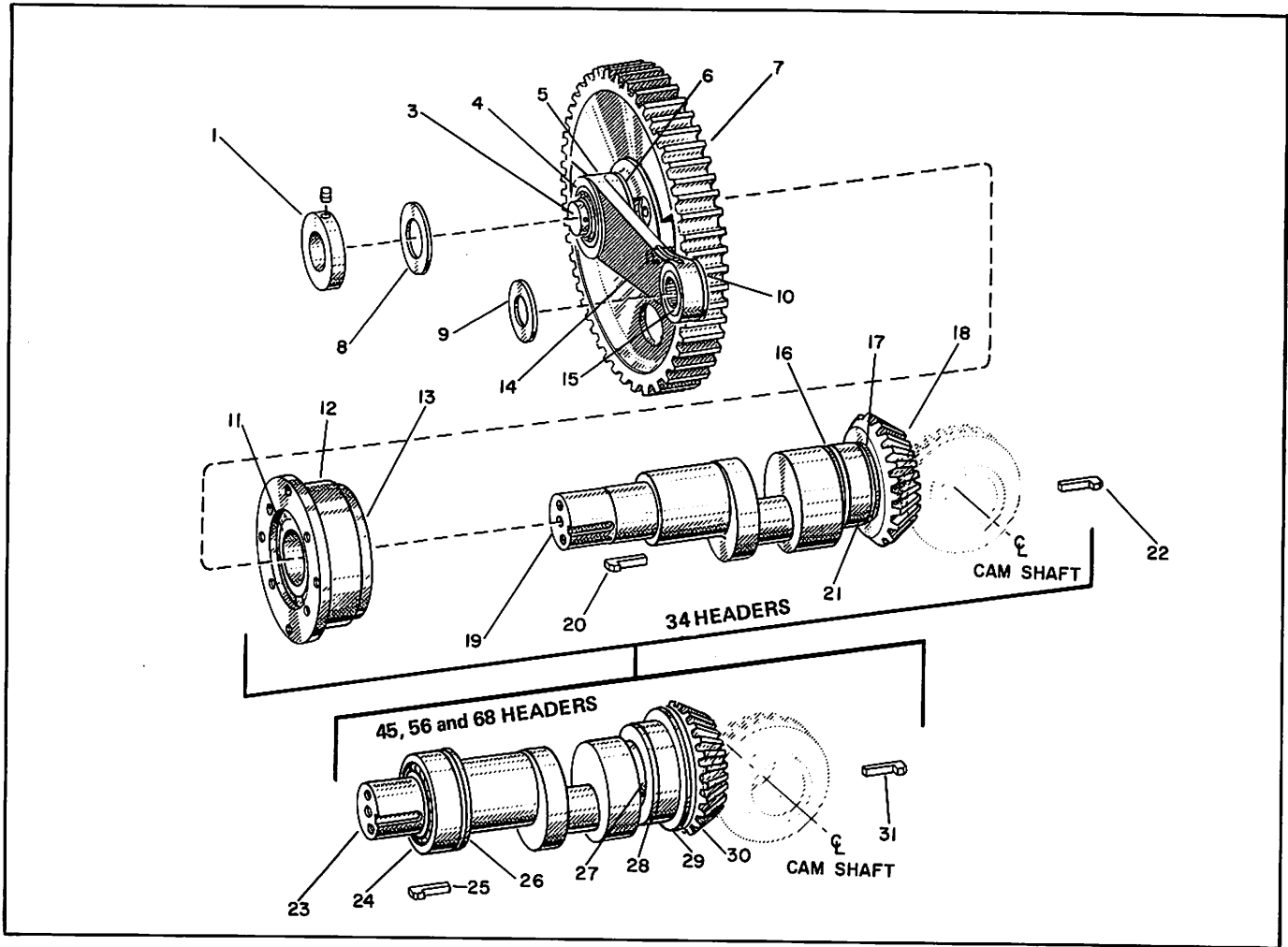


Figure CR

### CROSS SHAFT

KEY NO.	PART NAME	QTY	KEY NO.	PART NAME	QTY
CR-1	Collar for Feed Crank Disc . . . . .	1	CR-17	Check and Thrust Washer for Bevel Gear. . . . .	1
CR-3	Feed Crank Disc . . . . .	1	CR-18	Bevel Gear . . . . .	1
CR-4	Bearing in Feed Link - Feed Crank End . . . . .	1	CR-19	Cross Shaft . . . . .	1
CR-5	Feed Link . . . . .	1	CR-20	Key for Timing Gear on Cross Shaft . . . . .	1
CR-6	Washer on Feed Crank Disc . . . . .	1	CR-21	Roller Bearing on Cross Shaft . . . . .	1
CR-7	Timing Gear on Cross Shaft . . . . .	1	CR-22	Key for Bevel Gear on Cross Shaft . . . . .	1
CR-8	Washer on Feed Crank Disc . . . . .	1	CR-23	Cross Shaft . . . . .	1
CR-9	Washer for Feed Link on Feed Lever. . . . .	1	CR-24	Roller Bearing on Cross Shaft . . . . .	1
CR-10	Washer for Feed Link on Feed Lever. . . . .	1	CR-25	Key for Timing Gear on Cross Shaft . . . . .	1
CR-11	Thrust Bearing on Cross Shaft . . . . .	1	CR-26	Thrust Washer for Roller Bearing on Cross Shaft. . . . .	1
CR-12	Thrust Bearing Housing on Cross Shaft . . . . .	1	CR-27	Thrust Bearing on Cross Shaft . . . . .	1
CR-13	Thrust Bearing Clamp Ring . . . . .	1	CR-28	Thrust Bearing Clamp Ring . . . . .	1
CR-14	Dowel for Feed Crank Disc to Timing Gear . . . . .	2	CR-29	Thrust Bearing Housing on Cross Shaft . . . . .	1
CR-15	Bearing in Feed Link - Feed Lever End . . . . .	1	CR-30	Bevel Gear . . . . .	1
CR-16	Thrust Washer for Roller Bearing on Cross Shaft. . . . .	1	CR-31	Key for Bevel Gear on Cross Shaft . . . . .	1