

CUTOFF LEVER ASSEMBLY

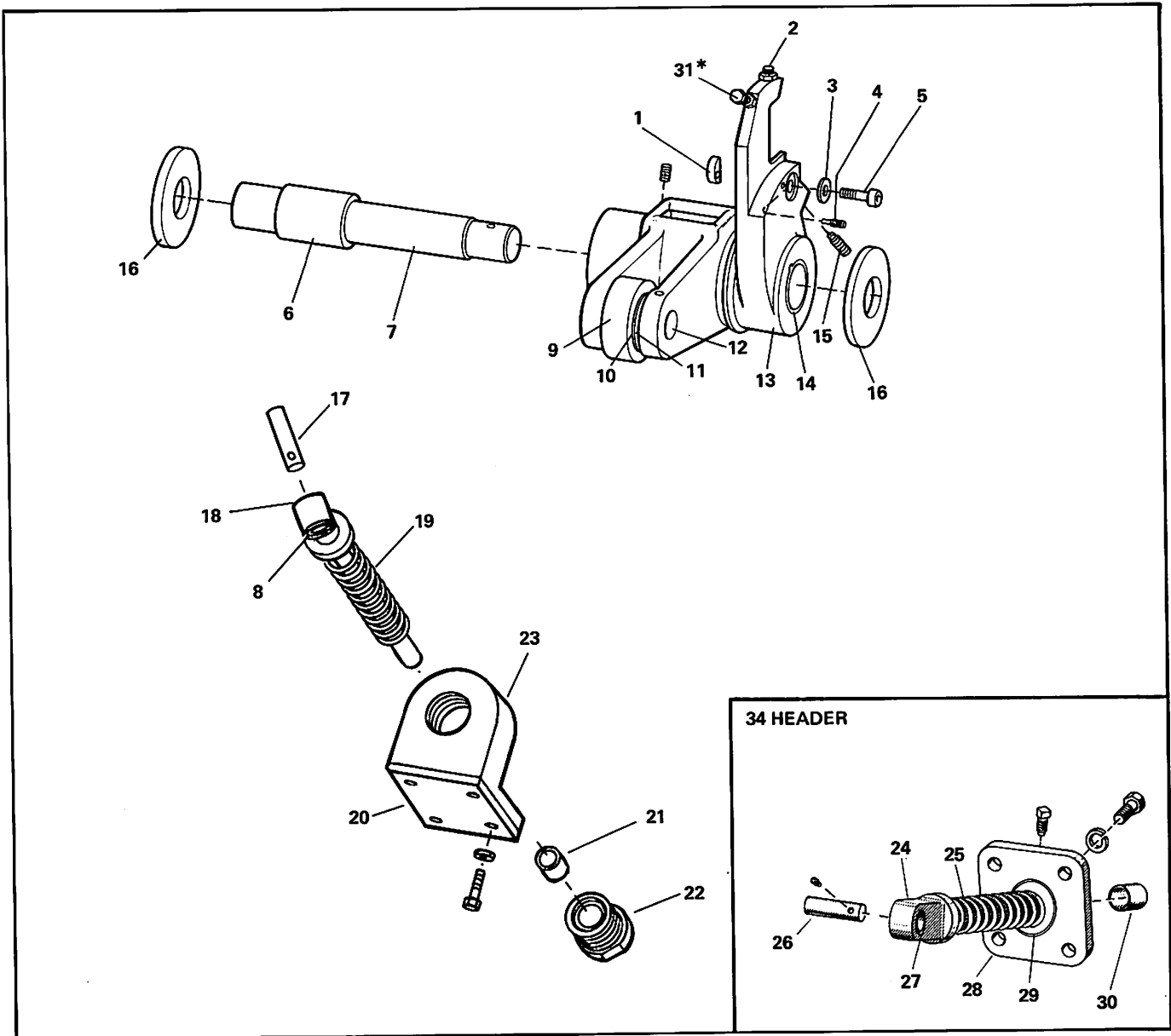


Figure CL
CUTOFF LEVER ASSEMBLY

KEY NO.	PART NAME	QTY	KEY NO.	PART NAME	QTY
CL-1	Cutter Seat	1	CL-18	Spring Rod	1
CL-2	Top Cutter Adjustment Screw	1	CL-19	Spring	1
CL-3	Cutter Screw Washer	1	CL-20	Spring Adjustment Bracket Block	1
CL-4	Cutter Seat Screw	1	CL-21	Spring Adjustment Bracket Bushing	1
CL-5	Cutter Screw	1	CL-22	Spring Adjustment Screw	1
CL-6	Cutoff Lever Front Bushing	1	CL-23	Spring Adjustment Bracket	1
CL-7	Cutoff Lever Pivot Pin	1	CL-24	Cutoff Return Spring Rod	1
CL-8	Spring Rod Bearing	1	CL-25	Cutoff Return Spring	1
CL-9	Cutoff Roller	1	CL-26	Cutoff Return Spring Rod Pin	1
CL-10	Bearing for Roller	1	CL-27	Bearing in Cutoff Return Spring Rod	1
CL-11	Cutoff Roller Pin Washer	2	CL-28	Cutoff Return Spring Adjustment Bracket	1
CL-12	Cutoff Roller Pin	1	CL-29	Cutoff Return Spring Adjustment Screw	1
CL-13	Cutoff Lever	1	CL-30	Bush for Cutoff Return Spring Rod	1
CL-14	Cutoff Lever Rear Bushing	1	CL-31*	Cutter Adjustment Screw	1
CL-15	Bottom Cutter Adjustment Screw	1			
CL-16	Cutoff Lever Check Washer	2			
CL-17	Spring Rod Pin	1			

*Not On 34 Headers

ALWAYS SPECIFY KEY NO., QUANTITY, SERIAL NO. AND CATALOG P-115B