

DIE BLOCK AND KICKOUT MECHANISM

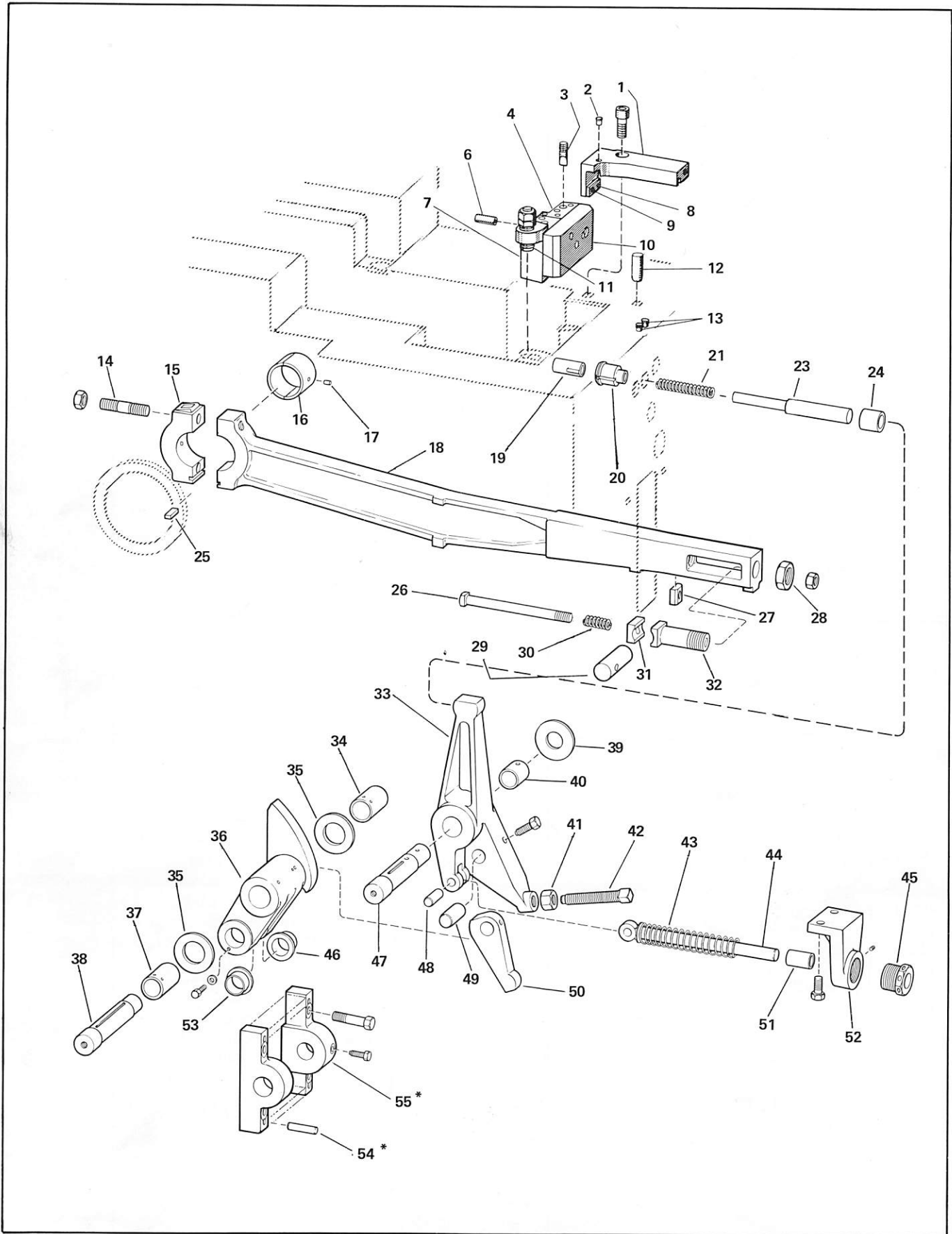


Figure KO

DIE BLOCK AND KICKOUT MECHANISM

KEY NO.	PART NAME	QTY.
KO-1	Cutoff Lever Gib . . . . .	1
KO-2	Oil Hole Cover for Cutoff Gib . . . . .	1
KO-3	Wedge for Quill . . . . .	1
KO-4	Die Holder Block . . . . .	1
KO-6	Pusher Insert . . . . .	1
KO-7	Die Block Wedge . . . . .	1
KO-8	Cutoff Gib Liner . . . . .	1
KO-9	Dowel Liner to Cutoff Gib . . . . .	2
KO-10	Die Box Face Plate . . . . .	1
KO-11	Adjustment Screw for Die Block Wedge . . . . .	1
KO-12	Dowel for Cutoff Lever Gib Adjustment . . . . .	1
KO-13	Covers for Kickout and Pusher Oil Holes . . . . .	2
KO-14	Studs for Cap . . . . .	2
KO-15	Kickout Connection Rod Cap . . . . .	1
KO-16	Kickout Connection Rod Bush . . . . .	2
KO-17	Dowel for Kickout Connection Bush . . . . .	1
KO-18	Kickout Connection Rod . . . . .	1
KO-19	Bush in Face Plate for Kickout Rod . . . . .	1
KO-20	Rear Bush for Kickout Rod . . . . .	1
KO-21	Spring for Kickout Rod . . . . .	1
KO-23	Knockout Rod . . . . .	1
KO-24	Front Bushing for Kickout Rod . . . . .	1
KO-25	Cap Key . . . . .	1
KO-26	Breaker Bolt for Kickout Connection (Print Furnished) . . . . .	1
KO-27	Breaker Bolt Seat Insert . . . . .	1
KO-28	Nut for Sleeve . . . . .	1
KO-29	Kickout Breaker Bolt Connection Pin . . . . .	1
KO-30	Kickout Connection Spring . . . . .	1
KO-31	Spring Seat for Kickout Connection . . . . .	1
KO-32	Kickout Connection Sleeve . . . . .	1
KO-33	Upper Kickout Lever . . . . .	1
KO-34	Lower Kickout Lever Pivot Bush, R. H. . . . .	1
KO-35	Pivot Pin Washer . . . . .	2
KO-36	Lower Kickout Cam Lever . . . . .	1
KO-37	Lower Kickout Lever Pivot Bush, L. H. . . . .	1
KO-38	Lower Kickout Lever Pivot Pin . . . . .	1
KO-39	Washer on Kickout Lever Shaft . . . . .	1
KO-40	Bush for Kickout Lever . . . . .	1
KO-41	Nut for Kickout Adjusting Screw . . . . .	1
KO-42	Kickout Adjusting Screw . . . . .	1
KO-43	Kickout Return Spring . . . . .	1
KO-44	Kickout Lever Spring Rod . . . . .	1
KO-45	Kickout Lever Spring Adjustment Seat . . . . .	1
KO-46	Flanged Bush for Cam Lever, R. H. . . . .	1
KO-47	Upper Kickout Lever Shaft . . . . .	1
KO-48	Kickout Spring Rod Bearing Pin . . . . .	1
KO-49	Pin for Kickout Cam Plate . . . . .	1
KO-50	Kickout Cam Plate . . . . .	1
KO-51	Kickout Lever Spring Rod Bush . . . . .	1
KO-52	Kickout Lever Spring Bracket . . . . .	1
KO-53	Flanged Bush for Cam Lever, L. H. . . . .	1
KO-54*	Bracket Dowel . . . . .	4
KO-55*	Lower Kickout Bracket . . . . .	1

\*56 & 68 Headers only.