

DISCHARGE EJECTOR  
34 HEADER ONLY

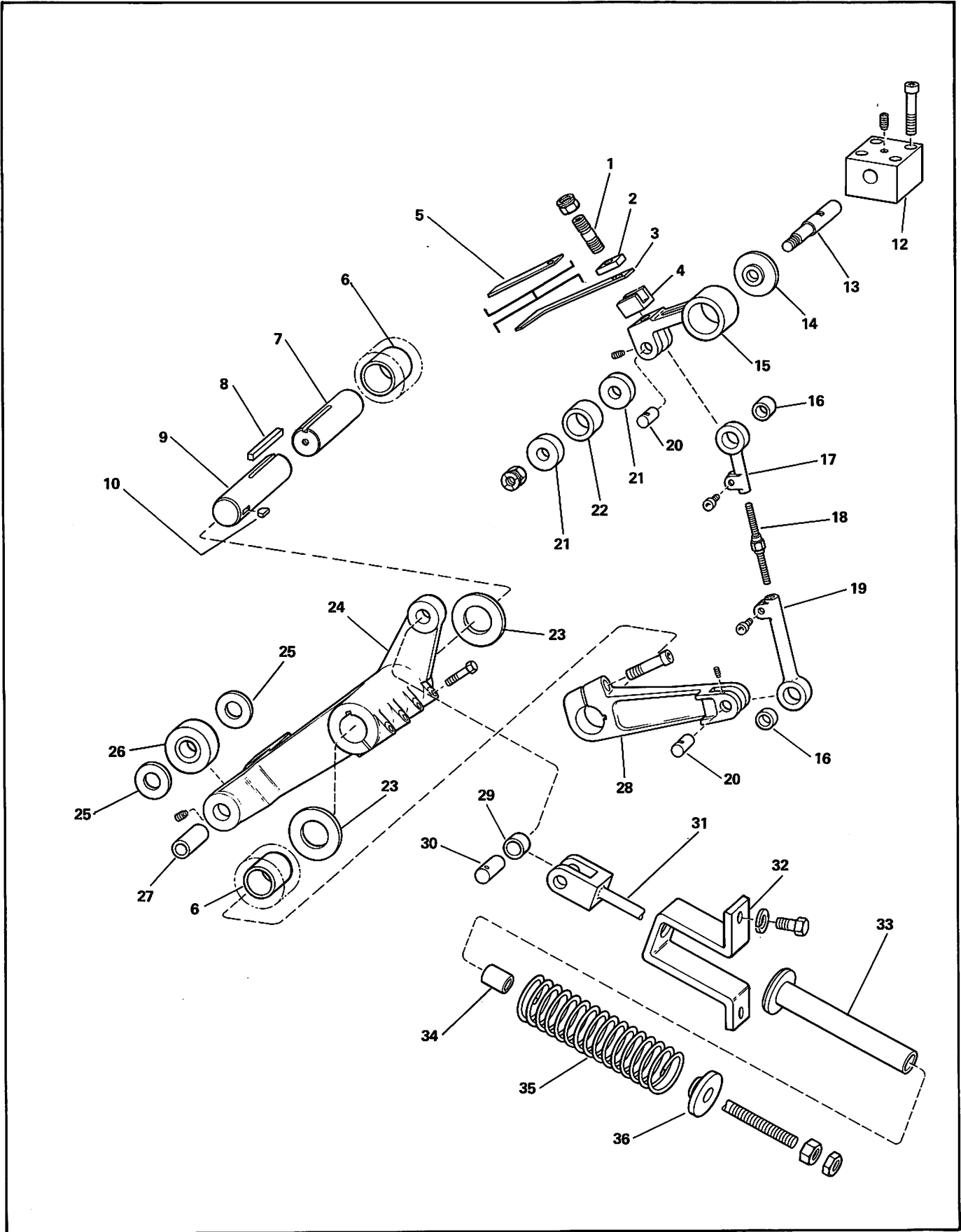


Figure DE

DISCHARGE EJECTOR  
34 HEADER ONLY

KEY NO.	PART NAME	QTY.
DE-1	Guide Lever Stud . . . . .	1
DE-2	Blade Spacer . . . . .	1
DE-3	Blade . . . . .	1
DE-4	Blade Clamp . . . . .	1
DE-5	Blade Leaf . . . . .	1
DE-6	Bush in Front Bed Wall and Wall Under Die . . . . .	2
DE-7	Roller Lever Shaft . . . . .	1
DE-8	Key for Drive Lever and Roller Lever . . . . .	1
DE-9	Drive Lever Shaft . . . . .	1
DE-10	Drive Lever Shaft Key . . . . .	1
DE-12	Guide Lever Pivot Block . . . . .	1
DE-13	Guide Lever Pivot Pin . . . . .	1
DE-14	Guide Lever Pivot Pin Washer . . . . .	1
DE-15	Guide Lever . . . . .	1
DE-16	Connection Bearing . . . . .	2
DE-17	Upper Connection End . . . . .	1
DE-18	Connecting Rod . . . . .	1
DE-19	Lower Connection End . . . . .	1
DE-20	Pin for Guide and Drive Lever . . . . .	2
DE-21	Guide Lever Bearing . . . . .	2
DE-22	Guide Lever Spacer . . . . .	1
DE-23	Roller Lever Washer . . . . .	2
DE-24	Roller Lever . . . . .	1
DE-25	Roller Lever Roller Washer . . . . .	2
DE-26	Roller Lever Roller Bearing . . . . .	1
DE-27	Roller Lever Roller Pin . . . . .	1
DE-28	Drive Lever . . . . .	1
DE-29	Roller Lever Spring Rod End Bearing . . . . .	1
DE-30	Spring Rod Pin . . . . .	1
DE-31	Spring Rod . . . . .	1
DE-32	Spring Bracket . . . . .	1
DE-33	Spring Guide . . . . .	1
DE-34	Spring Guide Bush . . . . .	1
DE-35	Roller Lever Spring . . . . .	1
DE-36	Spring Seat . . . . .	1