

ECCENTRIC SHAFT AND COUNTERBALANCE

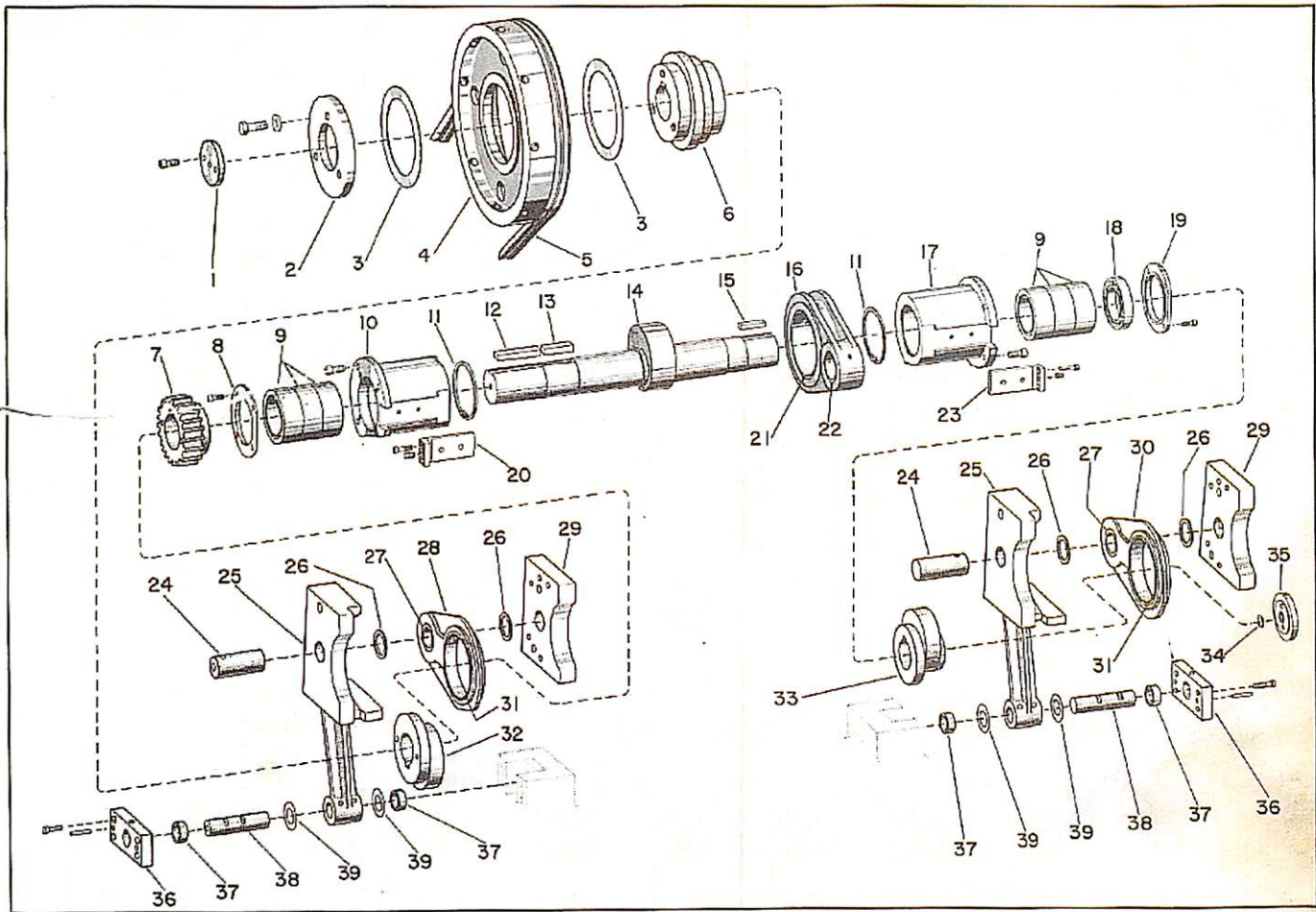


Figure 3

ECCENTRIC SHAFT AND COUNTERBALANCE

KEY NO.	PART NAME	QTY	KEY NO.	PART NAME	QTY
3-1	End Clamp for Flywheel Hub	1	3-21	Eccentric Shaft Bushing in Pitman . . .	1
3-2	Front Friction Collar	1	3-22	Wrist Pin Bushing in Pitman	1
3-3	Friction Washer for Flywheel	2	3-23	Right Hand Main Bearing Wedge	1
3-4	Flywheel	1	3-24	Counterbalance Lever Connection Pin . .	2
3-5	V-Belt	1	3-25	Counterbalance Lever	2
3-6	Flywheel Hub	1	3-26	Brass Washer	4
3-7	Timing Gear on Eccentric Shaft	1	3-27	Bushing for Pitman Counterbalance . . .	2
3-8	Left Hand Bearing Clamp Ring	1	3-28	Left Hand Pitman Counterbalance	1
3-9	Left and Right Hand Main Roller Bearings	6	3-29	Side Plate for Counterbalance Lever . .	2
3-10	Left Hand Main Bearing Housing	1	3-30	Right Hand Pitman Counterbalance . . .	1
3-11	Left and Right Main Bearing Retaining Ring	2	3-31	Large Bushing for Pitman Counterbalance	2
3-12	Key for Flywheel Hub	1	3-32	Left Hand Counterbalance Eccentric . .	1
3-13	Key for Timing Gear on Eccentric Shaft	1	3-33	Right Hand Counterbalance Eccentric . .	1
3-14	Eccentric Shaft	1	3-34	O-Ring	1
3-15	Key for Hub	1	3-35	End Clamp for Counterbalance	1
3-16	Pitman	1	3-36	Mounting Block for Counterbalance Lever	2
3-17	Right Hand Main Bearing Housing	1	3-37	Bushing	4
3-18	Ball Thrust Bearing on Eccentric Shaft	1	3-38	Counterbalance Lever Pivot Pin	2
3-19	Right Hand Main Bearing Clamp	1	3-39	Washer	4
3-20	Left Hand Main Bearing Wedge	1			