

FEED CLUTCH AND AUXILIARY BRAKE (56 AND 68 HEADERS)

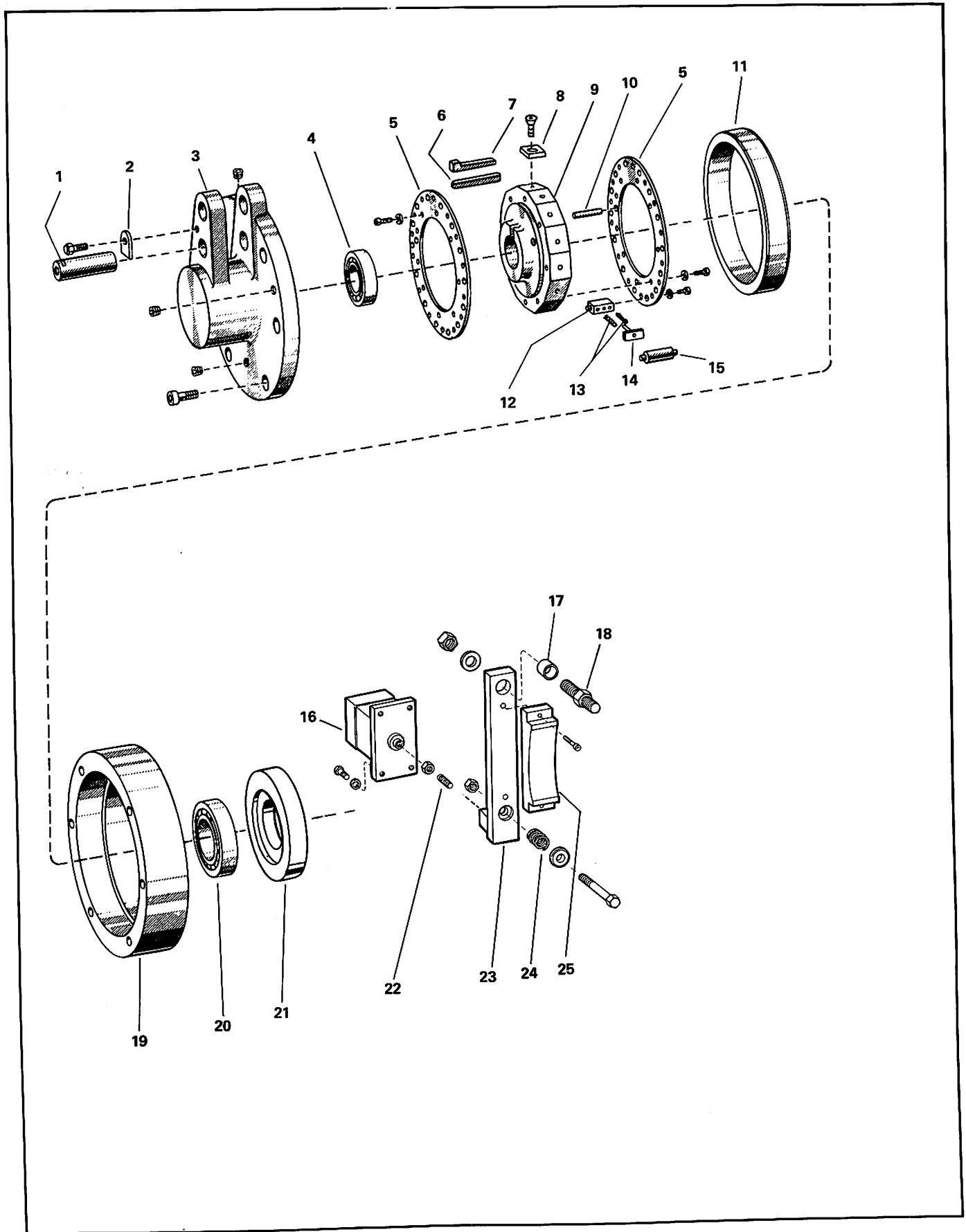


Figure FC

**FEED CLUTCH AND  
AUXILIARY BRAKE  
(56 AND 68 HEADERS)**

KEY NO.	PART NAME	QTY.
FC-1	Feed Connection Pin . . . . .	1
FC-2	Pin Lock for Feed Connection Pin . . . . .	1
FC-3	Feed Clutch Cover . . . . .	1
FC-4	Bearing in Feed Clutch Cover . . . . .	1
FC-5	Roller Plate . . . . .	2
FC-6	Key for Feed Clutch Hub. . . . .	1
FC-7	Gib Key for Feed Clutch Hub. . . . .	1
FC-8	Roller Wear Insert . . . . .	14
FC-9	Feed Clutch Roller Hub . . . . .	1
FC-10	Dowel for Roller Plate . . . . .	1
FC-11	Feed Clutch Housing Ring . . . . .	1
FC-12	Roll Retainer Spacer . . . . .	14
FC-13	Feed Clutch Roller Spring. . . . .	28
FC-14	Roll Plunger Guide . . . . .	14
FC-15	Clutch Rollers . . . . .	14
FC-16	Air Cylinder. . . . .	1
FC-17	Auxiliary Feed Roll Brake Stud Sleeve . . . . .	1
FC-18	Auxiliary Feed Roll Brake Stud . . . . .	1
FC-19	Feed Clutch Housing . . . . .	1
FC-20	Bearing for Housing . . . . .	1
FC-21	Bearing Retainer . . . . .	1
FC-22	Air Cylinder Tip . . . . .	1
FC-23	Auxiliary Feed Roll Brake . . . . .	1
FC-24	Brake Spring . . . . .	1
FC-25	Brake Shoe . . . . .	1