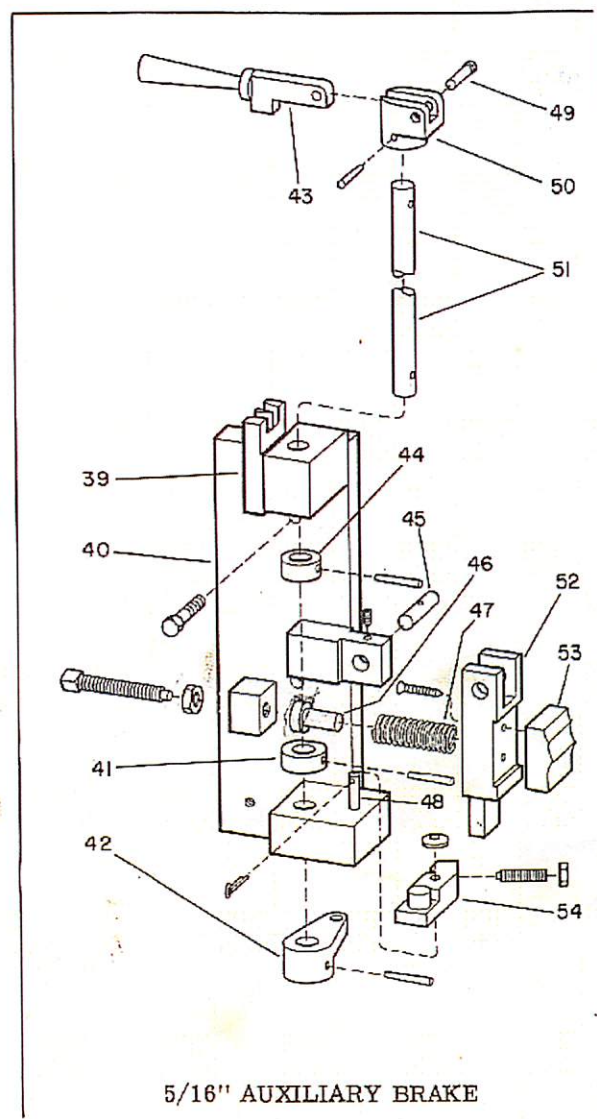
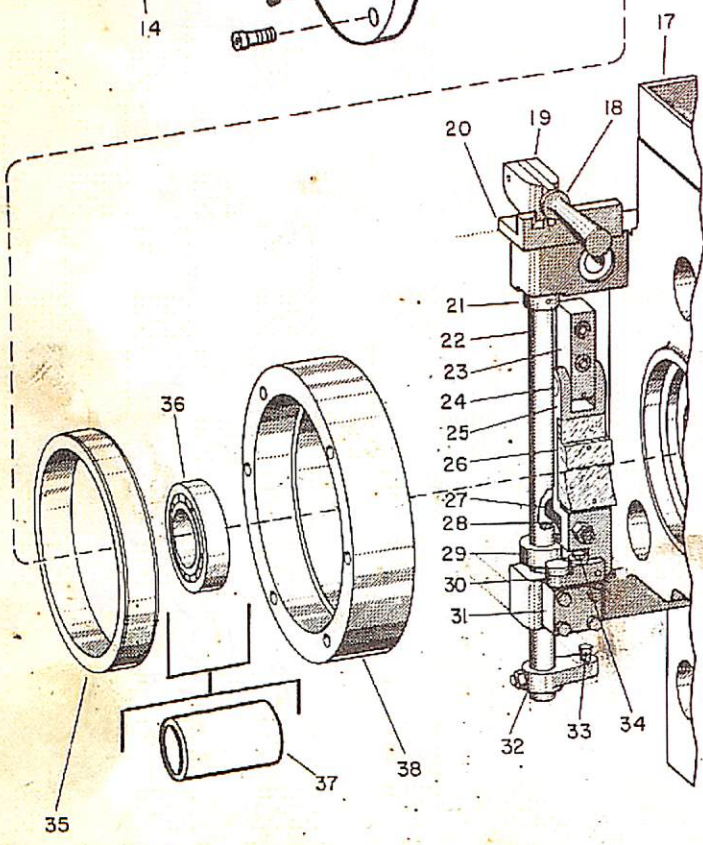
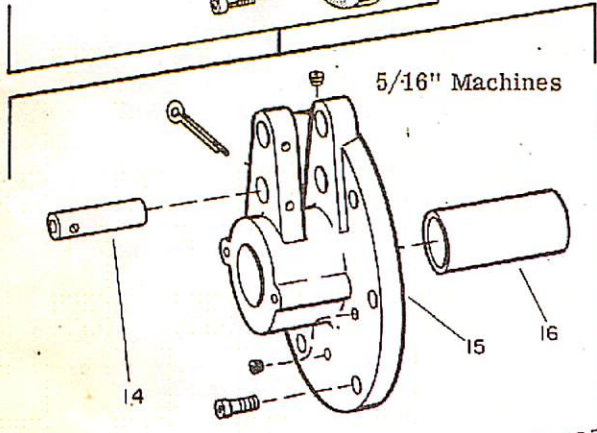
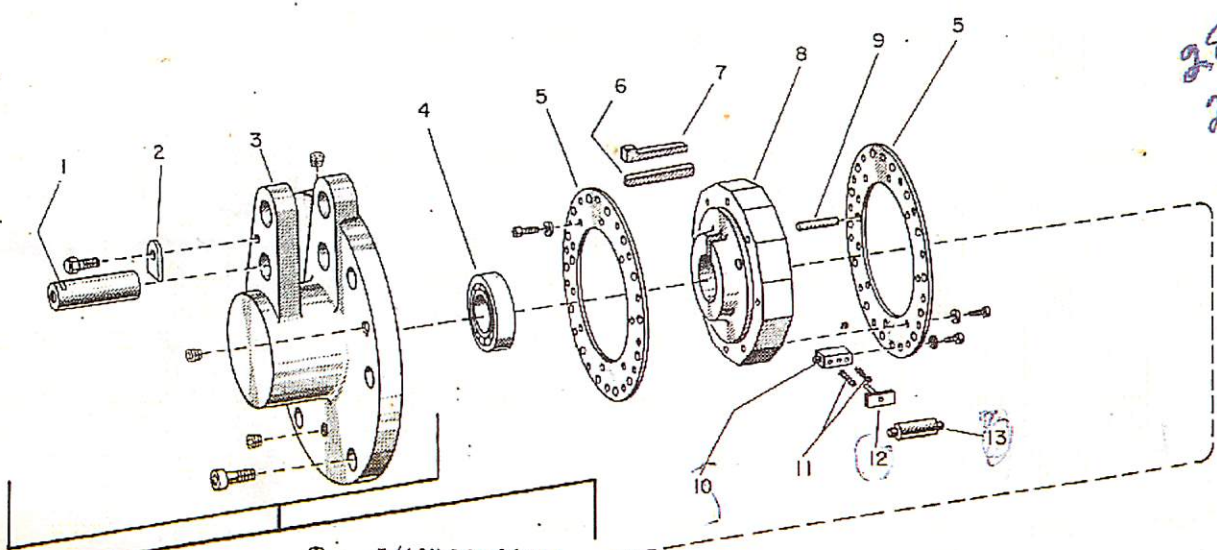


FEED CLUTCH, CONTROL LEVER AND AUXILIARY BRAKE

28
28



5/16" AUXILIARY BRAKE

Figure 14

FEED CLUTCH, CONTROL LEVER AND AUXILIARY BRAKE

KEY NO.	PART NAME	QTY
14-1*	Feed Connection Pin	1
14-2*	Pin Lock for Feed Connection Pin	1
14-3*	Feed Clutch Cover	1
14-4*	Bearing in Feed Clutch Cover.	1
14-5	Roller Plate	2
14-6	Key for Feed Clutch Hub	1
14-7	Gib Key for Feed Clutch Hub	1
14-8	Feed Clutch Roller Hub	1
14-9	Dowel for Roller Plate	1
14-10	Roll Retainer Spacer.	14
14-11	Feed Clutch Roller Spring	28
14-12	Roll Plunger Guide	14
14-13	Clutch Rollers	14
14-14**	Feed Connection Pin	1
14-15**	Feed Clutch Cover	1
14-16**	Bushing for Feed Clutch Cover	1
14-17*	Feed Box	1
14-18*	Feed Control Lever.	1
14-19*	Feed Control Collar	1
14-20*	Ratchet Plate for Feed Control Lever	1
14-21*	Retaining Collar on Feed Control Shaft	1
14-22*	Feed Control Shaft	1
14-23*#	Auxiliary Brake Mounting Bracket.	1
14-24*#	Auxiliary Brake Mounting Pin.	1
14-25*#	Auxiliary Feed Roll Brake	1
14-26*#	Auxiliary Brake Shoe	1
14-27*#	Auxiliary Brake Pressure Spring.	1
14-28*#	Auxiliary Brake Spring Guide	1
14-29*#	Auxiliary Brake Release Cam.	1
14-30*#	Auxiliary Brake Roller Lever.	1
14-31*#	Brake Roller Lever Mounting Bracket	1
14-32*	Lever on Feed Control Shaft.	1
14-33*	Feed Control Lever Pin	1
14-34*#	Auxiliary Brake Roller Lever Pivot Pin.	1
14-35	Clutch Roller Ring	1
14-36*	Bearing for Housing	1
14-37**	Bushing for Housing	1
14-38	Feed Clutch Housing.	1
14-39**	Ratchet Plate for Feed Control Lever	1
14-40**	Mounting Bracket.	1
14-41**	Release Cam.	1
14-42**	Lever on Feed Control Shaft.	1
14-43**	Feed Control Lever	1
14-44**	Retaining Collar on Feed Control Shaft.	1
14-45**	Pivot Pin	1
14-46**	Spring Guide	1
14-47**	Spring.	1
14-48**	Roller Lever Pivot Pin.	1
14-49**	Rivet for Feed Control Lever	1
14-50**	Feed Control Collar.	1
14-51**	Feed Control Shaft.	1
14-52**	Auxiliary Feed Roll Brake.	1
14-53**	Shoe.	1
14-54**	Roller Lever	1

* 25, 1/8", 3/16" and 1/4" Machines

** 5/16" Machines

Not on 25 Machines