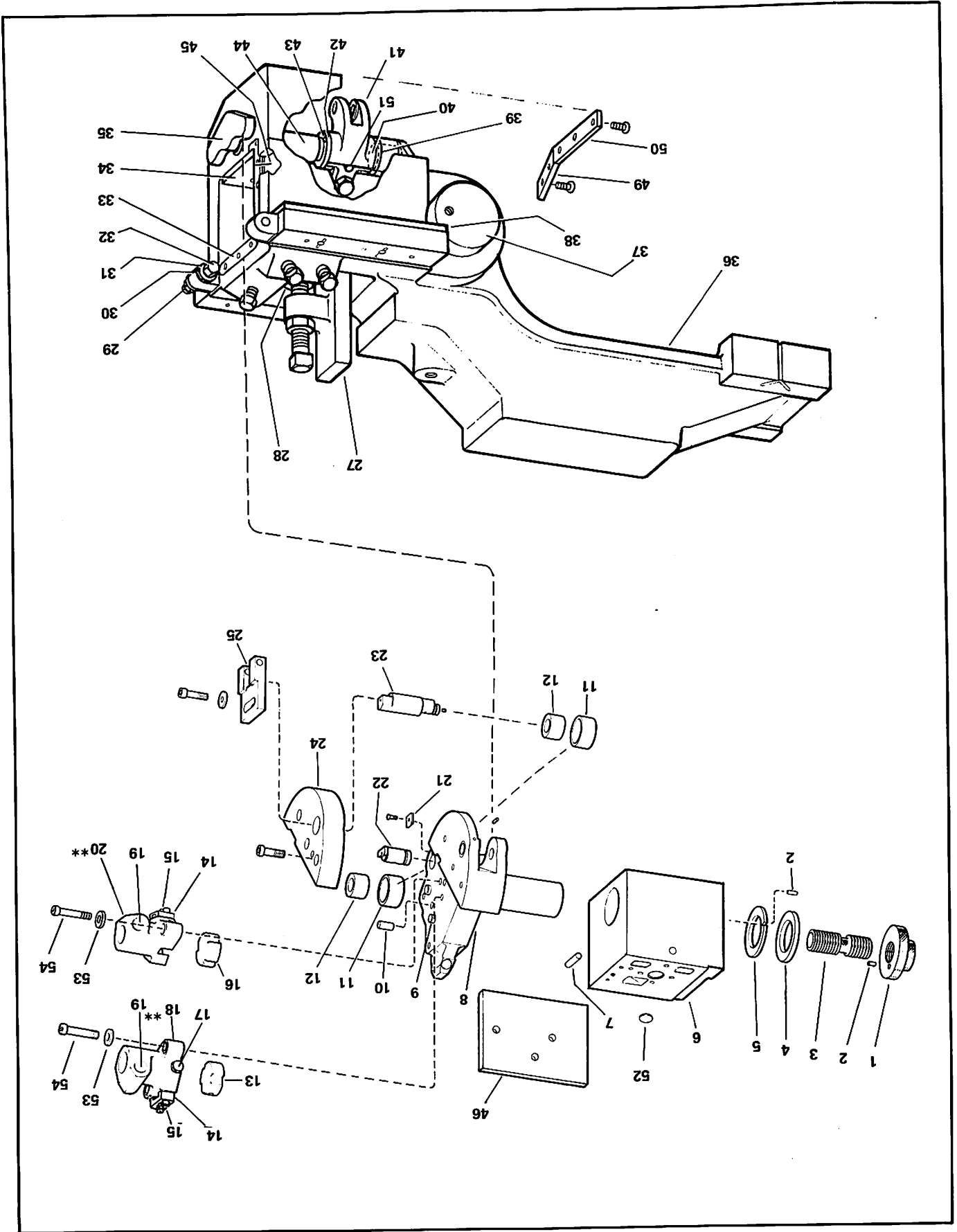


Figure HS



HEADING SLIDE AND PUNCH ROCKER ASSEMBLY

## HEADING SLIDE AND PUNCH ROCKER ASSEMBLY

KEY NO.	PART NAME	QTY.
HS-1	Punch Rocker Retainer Nut . . . . .	1
HS-2	Dowel for Retainer to Punch Rocker . . . . .	2
HS-3	Retainer to Punch Rocker Stud . . . . .	1
HS-4	Retainer Thrust Washer . . . . .	1
HS-5	Retainer Check Washer . . . . .	1
HS-6	Punch Rocker Bearing Block . . . . .	1
HS-7	Rocker Block Dowel . . . . .	2
HS-8	Punch Rocker . . . . .	1
HS-9	Centering Block Pilot . . . . .	2
HS-10	Centering Block Guide Pin . . . . .	1
HS-11	Punch Rocker Shifter Roller . . . . .	2
HS-12	Punch Rocker Roller Bush . . . . .	2
HS-13	Finish Punch Centering Disc . . . . .	1
HS-14	Adjusting Screw Retainer . . . . .	2
HS-15	Punch Holder Vertical Adjusting Screw . . . . .	2
HS-16	Cone Punch Centering Disc . . . . .	1
HS-17	Horizontal Adjusting Screw . . . . .	2
HS-18**	Finish Punch Holder . . . . .	1
HS-19	Punch Clamp Bolt . . . . .	2
HS-20**	Cone Punch Holder . . . . .	1
HS-21	Non-Adjusting Roller Pin Lock . . . . .	1
HS-22	Shifter Roller Pin (Non-Adjustable) . . . . .	1
HS-23	Adjustable Shifter Roller Pin . . . . .	1
HS-24	Counterweight . . . . .	1
HS-25	Wrench for Adjustable Roller . . . . .	1
HS-27	Punch Rocker Wedge . . . . .	1
HS-28	Hard Plate under Punch Rocker Wedge Adjusting Screw . . . . .	1
HS-29	Flexloc Nut on Abutment Screw . . . . .	2
HS-30	Check Washer on Abutment Screw . . . . .	2
HS-31##	Compression Washer on Abutment Screw . . . . .	*
HS-32	Abutment Screw for Punch Rocker . . . . .	2
HS-33	Rocker Block Oil Shield . . . . .	1
HS-34	Bearing Block Bottom Liner . . . . .	1
HS-35	Punch Lock Camshaft . . . . .	1
HS-36	Heading Slide . . . . .	1
HS-37	Wrist Pin in Heading Slide . . . . .	1
HS-38	Wear Plate under Heading Slide . . . . .	2
HS-39	Check Washer on Punch Lock Camshaft . . . . .	1
HS-40	Rear Bearing on Punch Lock Camshaft . . . . .	1
HS-41	Back Arm . . . . .	1
HS-42	Thrust Washer on Punch Lock Camshaft . . . . .	1
HS-43	Dowel for Thrust Washer to Back Arm . . . . .	2
HS-44	Punch Lock Camshaft Bushing . . . . .	1
HS-45	Neoprene Rocker Block Seal . . . . .	1
HS-46#	Side Check-In Slide Plate . . . . .	1
HS-49	Side Drip Lip on Heading Slide . . . . .	1
HS-50	Bottom Drip Lip on Heading Slide . . . . .	1
HS-51	Retaining Pin on Back Arm . . . . .	1
HS-52	Soft Plug . . . . .	1
HS-53	Punch Holder Clamp Washer . . . . .	4
HS-54	Punch Holder Clamp Screw . . . . .	4

# Replacement side check plate must be ground to give the same dimension as the original punch rocker block and plate from the center of the punch rocker shaft to the right side of the punch rocker block and including the plate.

##Specify Belleville washers or polyurethane washers.

\*Quantity depends on machine and type of washer.

\*\*Specify Bore Size