

HEADING SLIDE LINERS*

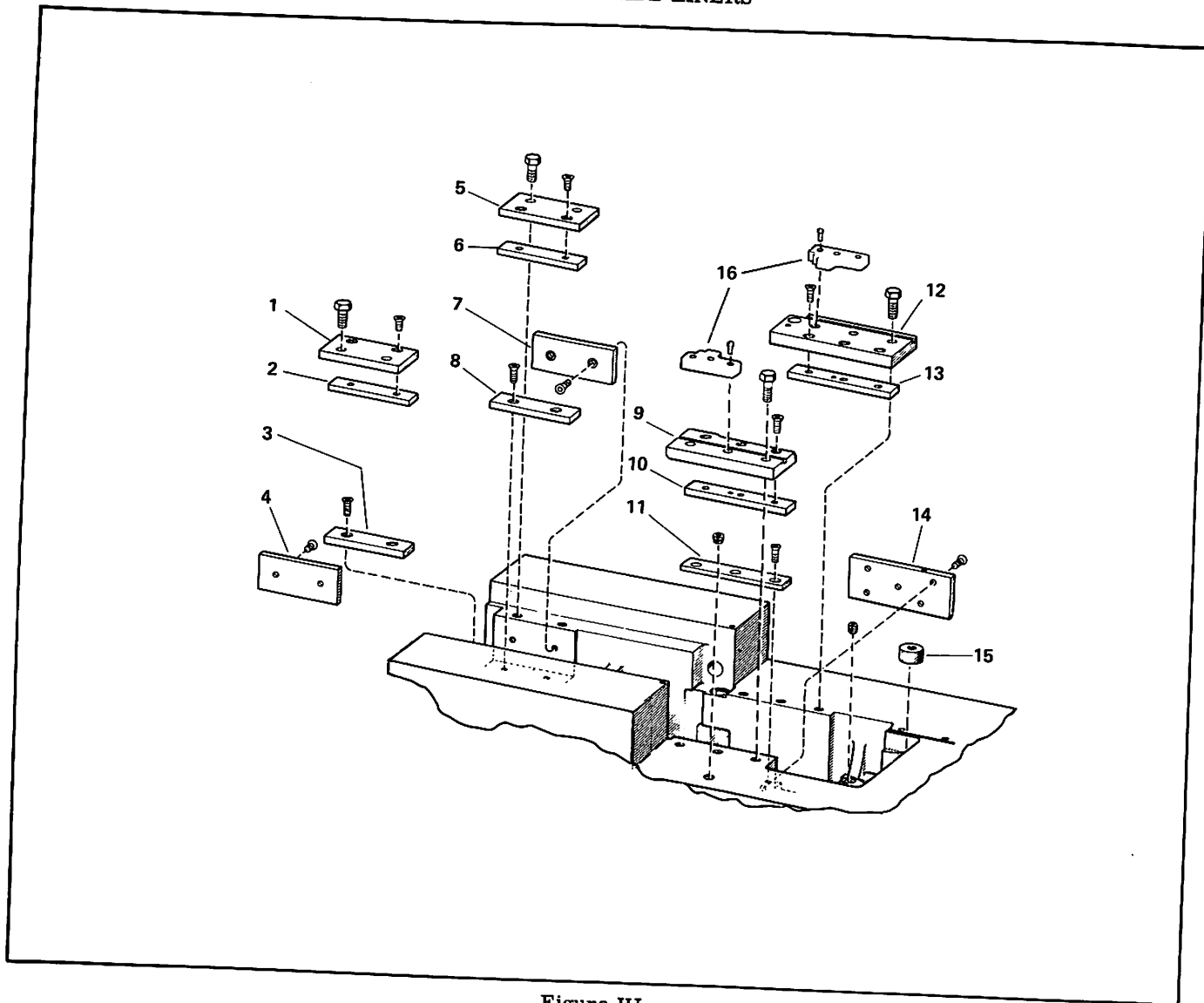


Figure HL

HEADING SLIDE LINERS*

KEY NO.	PART NAME	QTY
HL-1	LH Rear Heading Slide Cap	1
HL-2	Liner for LH Rear Heading Slide Cap	1
HL-3	LH Liner under Rear of Heading Slide	1
HL-4	Left Side, Rear Heading Slide Liner	1
HL-5	RH Rear Heading Slide Cap	1
HL-6	Liner for RH Rear Heading Slide Cap	1
HL-7	Right Side, Rear Heading Slide Liner	1
HL-8	RH Liner under Rear of Heading Slide	1
HL-9	LH Front Heading Slide Cap	1
HL-10	Liner on LH Front Heading Slide Cap	1
HL-11	LH Liner under Front of Heading Slide	1
HL-12	RH Front Heading Slide Cap	1
HL-13	Liner on RH Front Heading Slide Cap	1
HL-14	LH Front Heading Slide Side Liner	1
HL-15	Base Rest for Face Plate and Die Block	1
HL-16	Stop Bar Bracket	2

* See Figure SG for R. H. Front Liners

ALWAYS SPECIFY KEY NO., QUANTITY, SERIAL NO. AND CATALOG P-115B