

PUNCH ROCKER SHIFTER LEVER AND CONNECTIONS

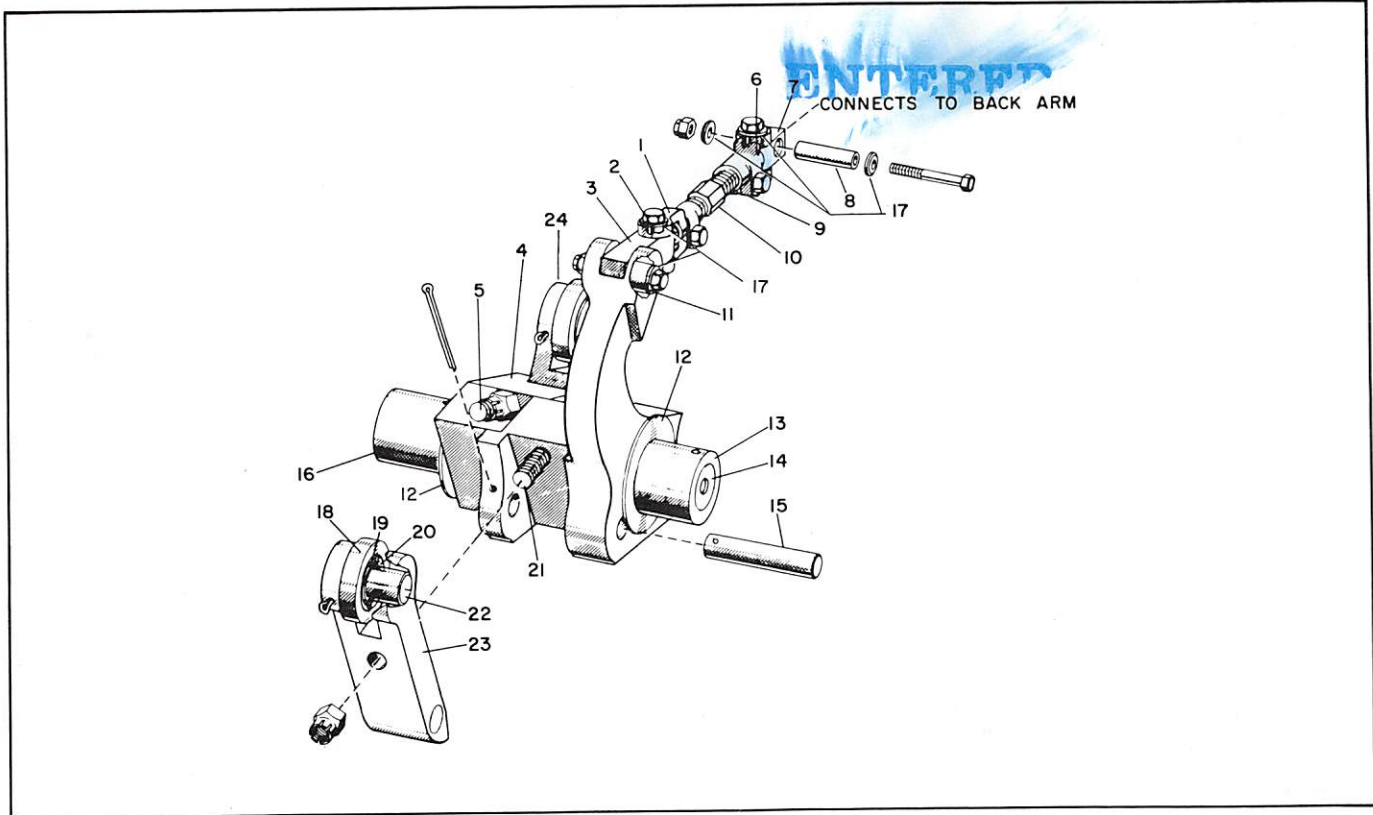


Figure SL

PUNCH ROCKER SHIFTER LEVER AND CONNECTIONS

KEY NO.	PART NAME	QTY
SL-1	Clevis - Left Hand	1
SL-2	Shifter Connection Pin in Clevis	1
SL-3	Shifter Connection Swivel Block in Lever	1
SL-4	Shifter Lever.	1
SL-5	Shifter Breaker Bolt (Print Furnished).	1
SL-6	Shifter Connection Pin in Clevis	1
SL-7	Shifter Connection Swivel Block in Back Arm	1
SL-8	Shifter Connection Pin in Back Arm.	1
SL-9	Clevis - Right Hand	1
SL-10	Shifter Connection	1
SL-11	Pin in Shifter Lever.	1
SL-12	Washer on Shifter Lever Pivot Pin	2
SL-13	Rear Shifter Lever Pivot Pin Bush	1
SL-14	Shifter Lever Pivot Pin	1
SL-15	Pivot Pin for Shifter Roller Lever.	2
SL-16	Front Shifter Lever Pivot Pin Bush	1
SL-17	Shifter Connection Pin Washer	8
SL-18	Roller on Shifter Roller Lever	2
SL-19	Bearing for Shifter Lever Roller	2
SL-20	Washer on Shifter Lever Roller Pin.	4
SL-21	Shifter Breaker Bolt (Print Furnished).	1
SL-22	Roller Pin in Shifter Roller Lever.	2
SL-23	Shifter Roller Lever (Rear)	1
SL-24	Shifter Roller Lever (Front)	1