

PUSHER MECHANISM

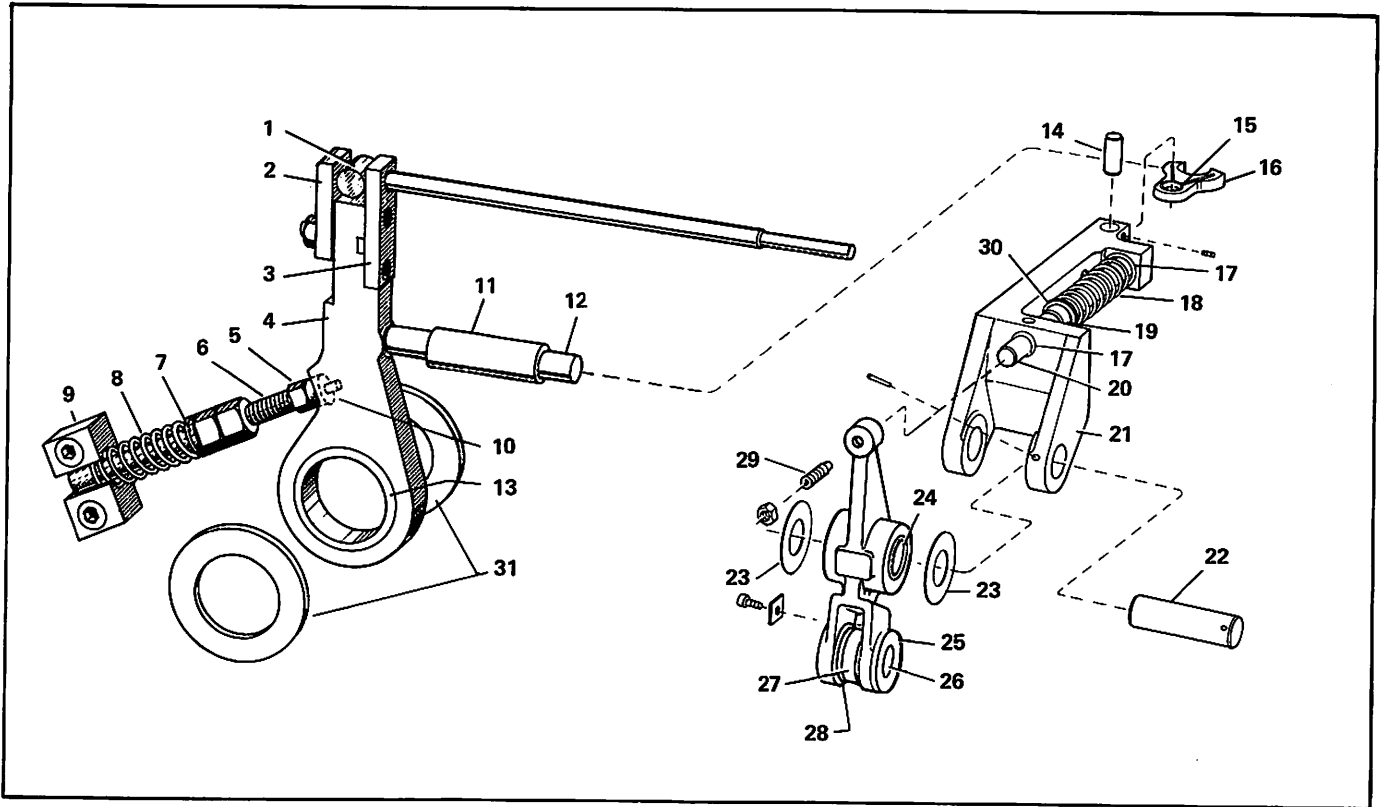


Figure PO

PUSHER MECHANISM

KEY NO.	PART NAME	QTY	KEY NO.	PART NAME	QTY
PO-1	Pusher Rod . . . . .	1	PO-16	Pusher Bellcrank . . . . .	1
PO-2	Pusher Rod Retainer. . . . .	1	PO-17	Bushings in Roller Lever Bracket . . .	2
PO-3	Pusher Rod Return Finger . . . . .	1	PO-18	Spring on Roller Lever Rod . . . . .	1
PO-4	Pusher Lever . . . . .	1	PO-19	Collar on Roller Lever Rod . . . . .	1
PO-5	Nut for End of Pusher Lever Spring Rod . . . . .	1	PO-20	Pusher Roller Lever Rod. . . . .	1
PO-6	Pusher Lever Spring Rod . . . . .	1	PO-21	Pusher Roller Lever Bracket . . . . .	1
PO-7	Washer for Pusher Lever Spring Seat	1	PO-22	Pusher Roller Lever Pivot Pin. . . . .	1
PO-8	Spring for Pusher Lever . . . . .	1	PO-23	Roller and Lever Washers . . . . .	4
PO-9	Bracket for Pusher Lever Spring Rod	1	PO-24	Bushing in Roller Lever . . . . .	1
PO-10	Spring Rod Seat . . . . .	1	PO-25	Pusher Roller Lever. . . . .	1
PO-11	Bushing for Push Rod . . . . .	2	PO-26	Pin in Cam Roller Bearing. . . . .	1
PO-12	Intermediate Push Rod . . . . .	1	PO-27	Cam Roller Bearing . . . . .	1
PO-13	Bushing for Pusher Lever . . . . .	1	PO-28	Roller Pin Washers . . . . .	2
PO-14	Pusher Bellcrank Pivot Pin . . . . .	1	PO-29	Roller Lever Adjusting Screw . . . . .	1
PO-15	Bushing in Pusher Bellcrank . . . . .	1	PO-30	Lever Push Rod Washer . . . . .	1
			PO-31	Pusher Lever Washer . . . . .	2