

RELIEVING KNOCKOUT MECHANISM (OPTIONAL)

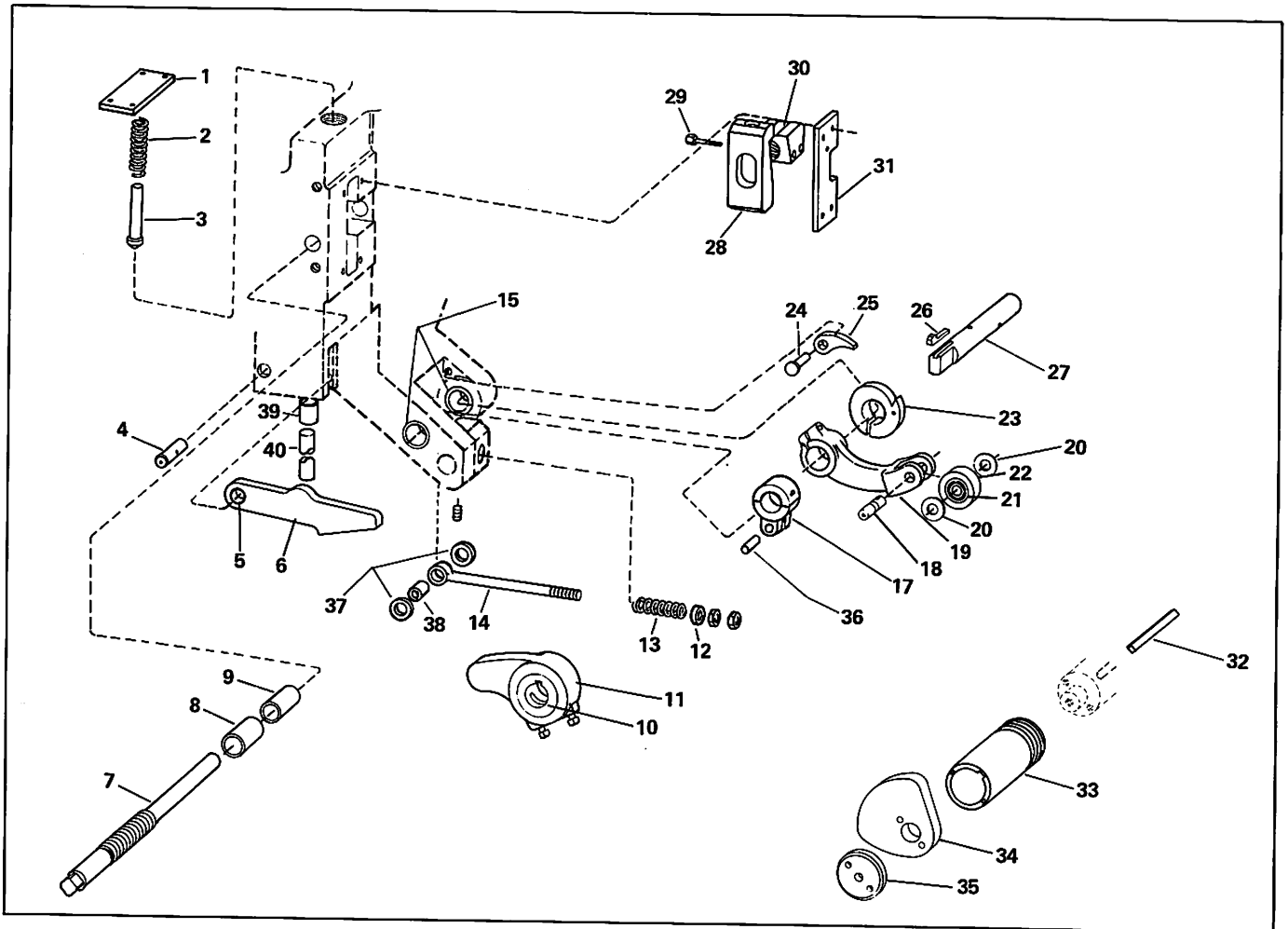


Figure RK

RELIEVING KNOCKOUT MECHANISM (OPTIONAL)

KEY NO.	PART NAME	QTY.	KEY NO.	PART NAME	QTY.
RK-1	Return Spring Plate	1	RK-22	Relief Cam Roller	1
RK-2	Return Spring	1	RK-23	Collar for Torsion Spring	1
RK-3	Wedge Return Rod	1	RK-24	Pivot Pin in Pawl	1
RK-4	Pivot Pin for Cam Shoe	1	RK-25	Pawl for Torsion Spring Collar	1
RK-5	Cam Shoe Bushing	1	RK-26	Key for Cam Hub	1
RK-6	Relief Adjustment Cam Shoe	1	RK-27	Shaft for Cam Roller Lever	1
RK-7	Kickout Backing Screw	1	RK-28	Relief Wedge	1
RK-8	Bushing on Kickout Backing Screw	1	RK-29	Clamping Bolt for Kickout Backing Screw Nut	2
RK-9	Bushing on Kickout Backing Screw	1	RK-30	Nut for Kickout Backing Screw	1
RK-10	Relief Adjustment Cam Hub	1	RK-31	Relief Wedge Cover	1
RK-11	Relief Adjustment Cam	1	RK-32	Key for Relief Cam Hub	1
RK-12	Spring Seat	1	RK-33	Relief Cam Hub	1
RK-13	Spring on Spring Rod	1	RK-34	Cam on Camshaft	1
RK-14	Spring Rod for Relieving Knockout Cam	1	RK-35	Collar for Camshaft	1
RK-15	Bushings for Cam Roller Lever Shaft	2	RK-36	Cam Spring Rod Pin	1
RK-17	Roller Lever Shaft Collar	1	RK-37	Washers on Spring Rod	2
RK-18	Relief Cam Roller Lever Pin	1	RK-38	Bushing on Spring Rod	1
RK-19	Relief Cam Roller Lever	1	RK-39	Bushing for Push Rod	1
RK-20	Washers for Roller	2	RK-40	Push Rod	1
RK-21	Bearing in Relief Cam Roller	1			