

STOCK GAGE ADJUSTING ASSEMBLY

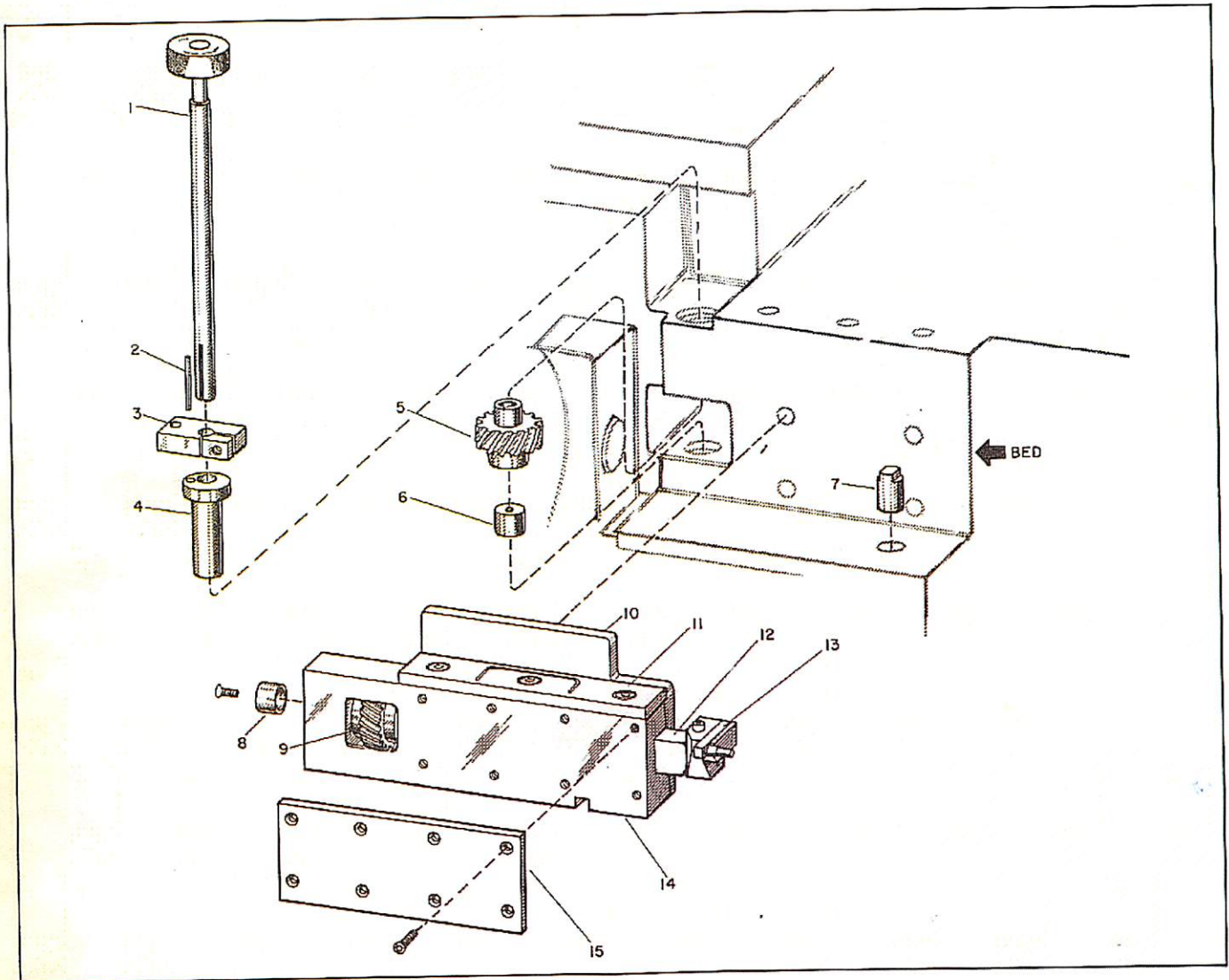


Figure 2

STOCK GAGE ADJUSTING ASSEMBLY

KEY NO.	PART NAME	QTY
2-1	Stock Gage Adjusting Shaft	1
2-2	Key for Stock Gage Adjusting Gear on Shaft	1
2-3	Clamp for Stock Gage Adjustment Shaft	1
2-4	Adjustment Bush for Stock Gage Shaft	1
2-5	Stock Gage Adjustment Gear on Shaft	1
2-6	Plug in Bed under Stock Gage Gear	1
2-7	Dowel for Locating Adjustment Block	1
2-8+	Stop on Stock Gage Stem	1
2-9	Stock Gage Adjustment Gear on Stem	1
2-10	Adjustment Liner Wedge	1
2-11	Liner under Heading Slide	1
2-12	Stock Gage Stem	1
2-13	Stock Gage Tip	1
	Short Work	1
	Long Work	1
2-14	Adjustment Block for Heading Slide	1
2-15	Right Hand Side Heading Slide Liner	1

+On 3/16" Machines Only