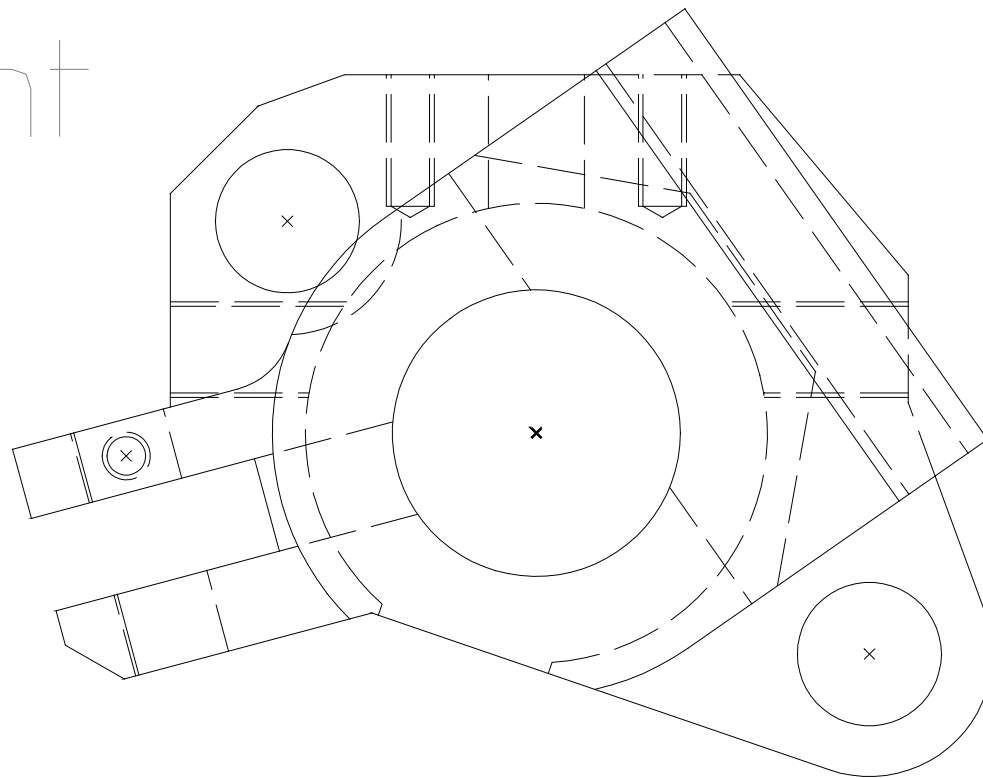


56 National H.S. / S.D.D.S.

Key # HS-20 Cone/1st/Upset

Footprint



TMW PROG. 1399