

TRANSFER LEVER AND HEAD

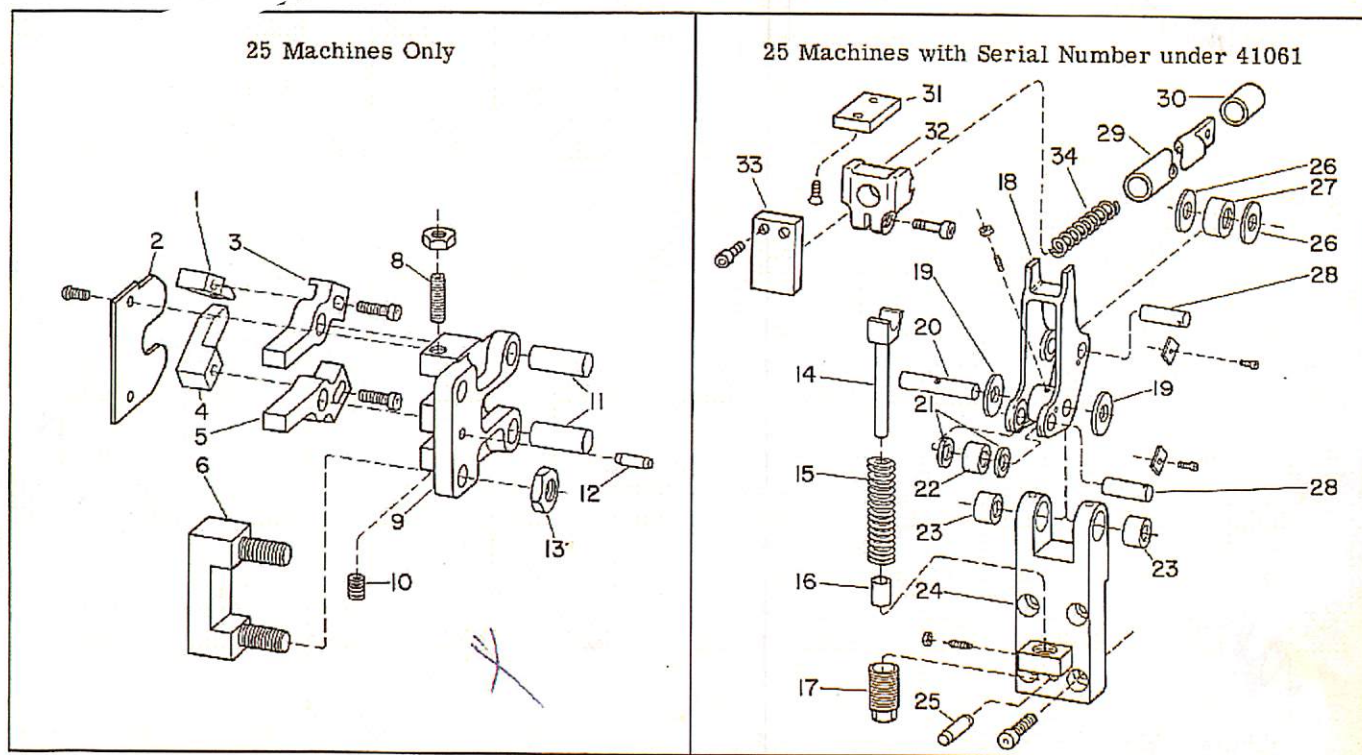


Figure 8

TRANSFER LEVER AND HEAD (25 Machines)

KEY NO.	PART NAME	QTY.
8-1	Upper Transfer Finger	1
8-2	Back Cover for Transfer Head	1
8-3	Top Transfer Finger Holder	1
8-4	Lower Transfer Finger	1
8-5	Lower Transfer Finger Holder	1
8-6	Transfer Head Clamp	1
8-8	Top Holder Adjusting Screw	1
8-9	Transfer Head	1
8-10	Transfer Finger Pressure Spring	2
8-11	Transfer Finger Holder Pivot Pin	2
8-12	Dowel in Transfer Head	1
8-13	Nut for Transfer Head Clamp	2
8-14	Transfer Lever Spring Rod	1
8-15	Spring on Transfer Lever Spring Rod	1
8-16	Transfer Lever Spring Rod Bushing	1
8-17	Transfer Lever Spring Seat	1
8-18	Transfer Roller Lever	1
8-19	Transfer Roller Lever Pivot Pin Washer	2
8-20	Transfer Roller Lever Pivot Pin	1
8-21	Transfer Spring Rod Roller Pin Washers	2
8-22	Transfer Spring Rod Roller Pin Bearing	1
8-23	Transfer Roller Lever Bracket Bearing	2
8-24	Transfer Roller Lever Bracket	1
8-25	Dowel for Bracket to Bed	1
8-26	Transfer Roller Pin Washers	2
8-27	Transfer Lever Roller Bearing	1
8-28	Transfer Roller and Spring Rod Pin	2
8-29	Transfer Bar	2
8-30	Transfer Bar Bearings in Bed	2
8-31	Transfer Bar Check Liner	1
8-32	Roller Block on Transfer Arm	1
8-33	Seat For Transfer Bar Spring	1
8-34	Transfer Bar Spring	1