

TRANSFER LEVER AND HEAD

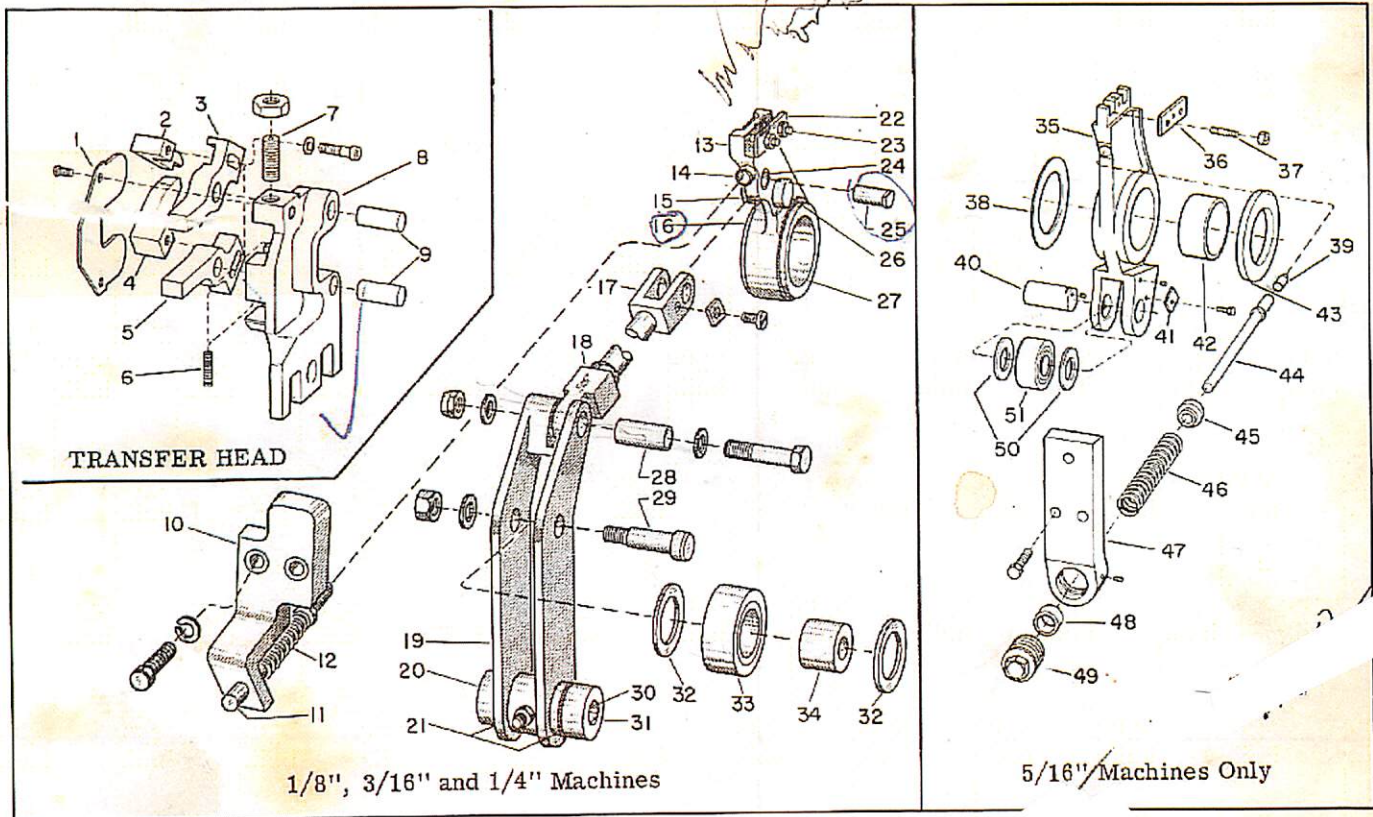


Figure 10

TRANSFER LEVER AND HEAD

KEY NO.	PART NAME	QTY	KEY NO.	PART NAME	QTY
10-1	Back Cover for Transfer Head	1	10-28	Roller Lever Connecting Rod Pin	1
10-2	Upper Finger	1	10-29	Shoulder Screw	1
10-3	Upper Finger Holder	1	10-30	Pivot Pin for Transfer Roller Lever	1
10-4	Lower Finger	1	10-31	Rear Bush on Roller Lever Pivot Pin	1
10-5	Lower Finger Holder	1	10-32	Washers on Roller Pin	2
10-6	Finger Pressure Spring	2	10-33	Bearing for Transfer Cam Fol- lower	1
10-7	Top Holder Adjusting Screw	1	10-34	Roller Pin	1
10-8	Transfer Head	1	10-35	Transfer Lever	1
10-9	Finger Holder Pivot Pin	2	10-36	Clamp Plate	1
10-10	Guide Plate for Spring Rod	1	10-37	Stud for Mounting	2
10-11	Spring Rod	1	10-38	Check Washer	1
10-12	Spring	1	10-39	Spring Rod Seat	1
10-13	Transfer Lever	1	10-40	Roller Pin	1
10-14	Spring Rod Seat	1	10-41	Lock for Roller Pin	1
10-15	Bearing Plug on Cutoff	1	10-42	Bushing	1
10-16	Check Washer	1	10-43	Check Washer	1
10-17	Connecting Rod	1	10-44	Spring Rod	1
10-18	Connecting Rod End	1	10-45	Transfer Spring Seat	1
10-19	Transfer Roller Lever	1	10-46	Transfer Spring	1
10-20	Front Bush on Roller Lever Pivot Pin	1	10-47	Spring Rod Guide Bracket	1
10-21	Washer on Roller Lever Pivot Pin	2	10-48	Bearing in Spring Seat	1
10-22	Clamp Plate for Transfer Head	1	10-49	Spring Rod Adjusting Seat	1
10-23	Stud for Mounting	2	10-50	Washers for Roller	2
10-24	Bearing in Transfer Lever for Con- necting Rod Pin	1	10-51	Transfer Lever Roller Bearing	1
10-25	Pin for Connecting Rod	1			
10-26	Bearing Plug on Cutoff	1			
10-27	Transfer Check Bush	1			