

TRANSFER ROLLER LEVER AND HEAD

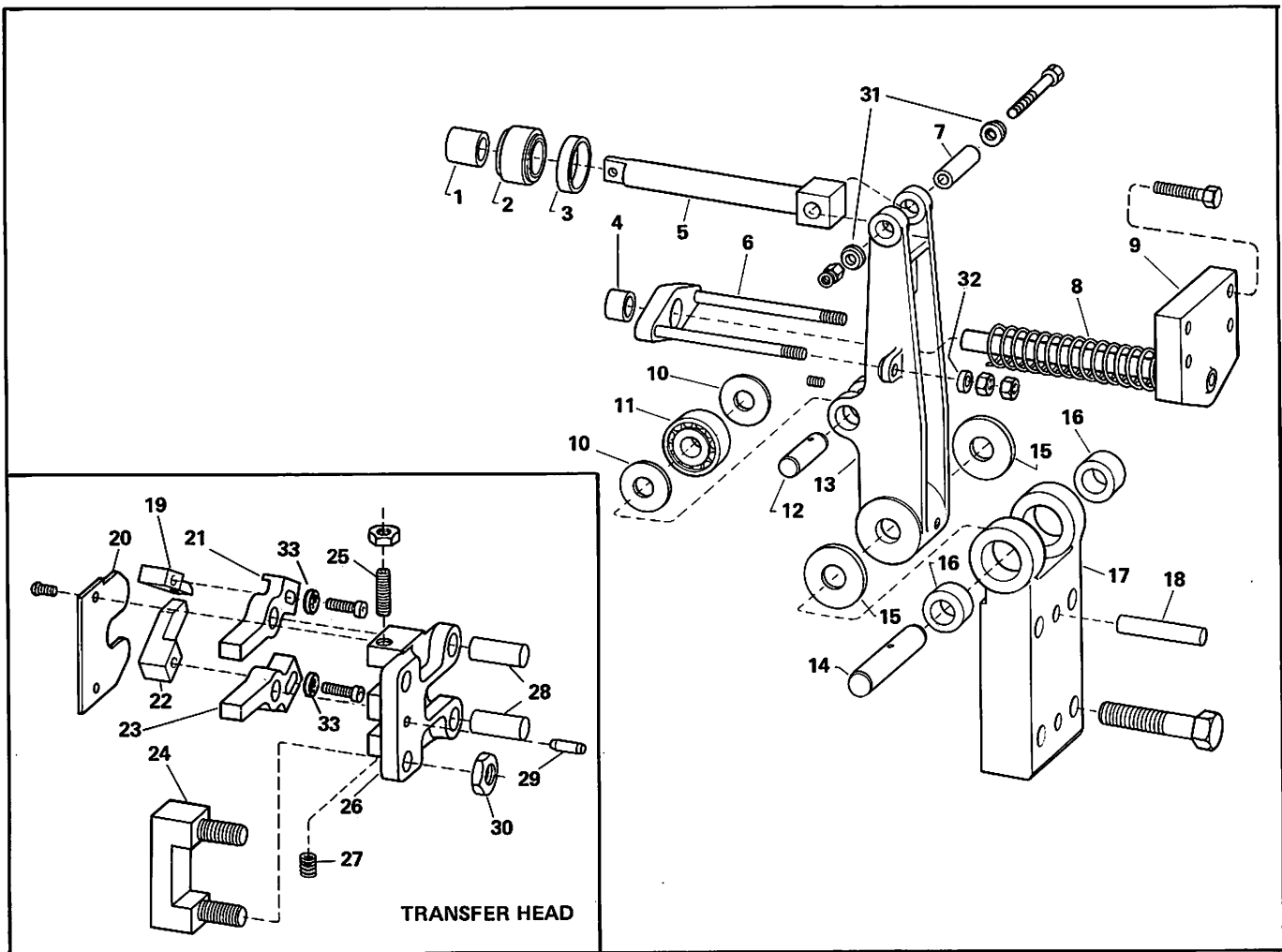


Figure TR

TRANSFER ROLLER LEVER AND HEAD

KEY NO.	PART NAME	QTY.	KEY NO.	PART NAME	QTY.
TR-1	Transfer Bar Bearing Bushing	1	TR-17	Transfer Roller Lever Bracket	1
TR-2	Transfer Bar Bearing	1	TR-18	Bracket Dowel	2
TR-3	Bearing Spacer	1	TR-19	Upper Transfer Finger	1
TR-4	Spring Seat Bushing	1	TR-20	Back Cover for Transfer Head	1
TR-5	Transfer Bar	1	TR-21	Top Transfer Finger Holder	1
TR-6	Spring Seat	1	TR-22	Lower Transfer Finger	1
TR-7	Transfer Bar Connecting Pin	1	TR-23	Lower Transfer Finger Holder	1
TR-8	Spring	1	TR-24	Transfer Head Clamp	1
TR-9	Transfer Spring Seat and Rod Bracket	1	TR-25	Top Holder Adjusting Screw	1
TR-10	Transfer Roller Pin Washer	2	TR-26	Transfer Head	1
TR-11	Transfer Lever Roller Bearing	1	TR-27	Transfer Finger Pressure Spring	2
TR-12	Transfer Lever Roller Pin	1	TR-28	Transfer Finger Holder Pivot Pin	2
TR-13	Transfer Roller Lever	1	TR-29	Dowel in Transfer Head	1
TR-14	Roller Lever Pivot Pin	1	TR-30	Nut for Transfer Head Clamp	2
TR-15	Roller Lever Pivot Washer	2	TR-31	Connecting Pin Washer	2
TR-16	Roller Lever Bearing	2	TR-32	Spring Seat Washer	1
			TR-33	Hard Washer	2