

TRANSFER ROLLER LEVER

For 25 Machines with Serial Number 41061 and higher.

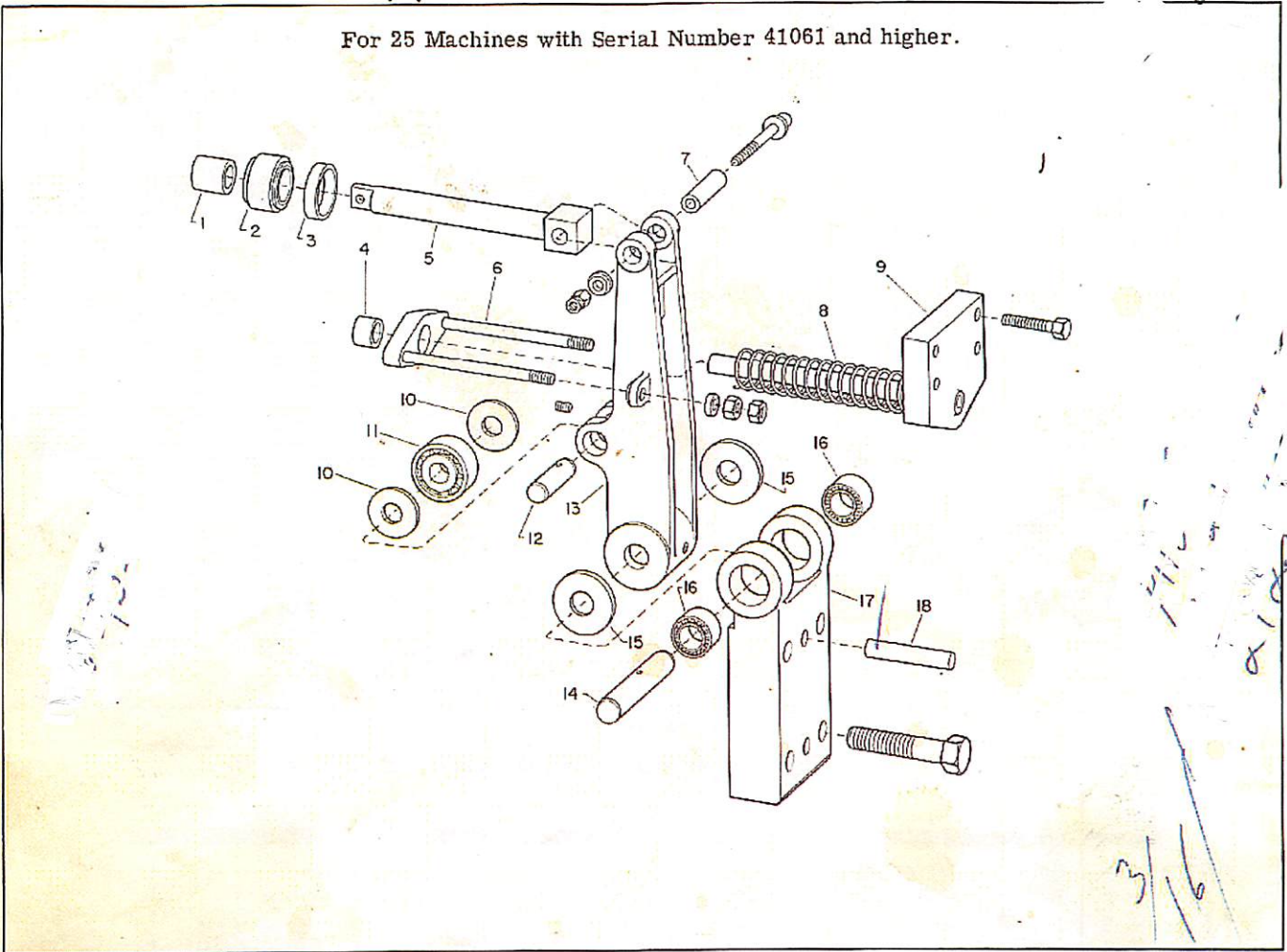


Figure 9

TRANSFER ROLLER LEVER (25 Machines)

KEY NO.	PART NAME	QTY.
9-1	Transfer Bar Bearing Bushing	1
9-2	Transfer Bar Bearing	1
9-3	Bearing Spacer	1
9-4	Spring Seat Bushing	1
9-5	Transfer Bar	1
9-6	Spring Seat	1
9-7	Transfer Bar Connecting Pin	1
9-8	Spring	1
9-9	Transfer Spring Seat and Rod Bracket	1
9-10	Transfer Roller Pin Washer	2
9-11	Transfer Lever Roller Bearing	1
9-12	Transfer Lever Roller Pin	1
9-13	Transfer Roller Lever	1
9-14	Roller Lever Pivot Pin	1
9-15	Roller Lever Pivot Washer	2
9-16	Roller Lever Bearing	2
9-17	Transfer Roller Lever Bracket	1
9-18	Bracket Dowel	1